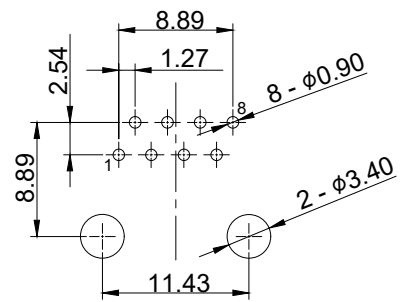
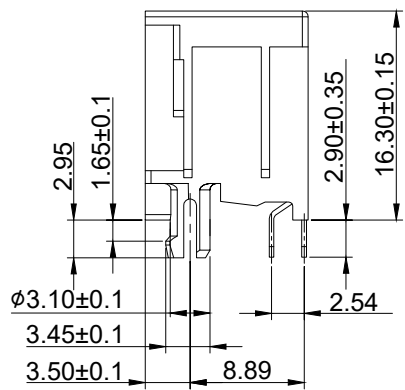
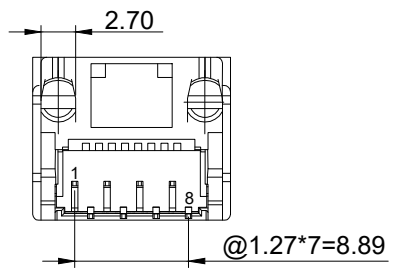
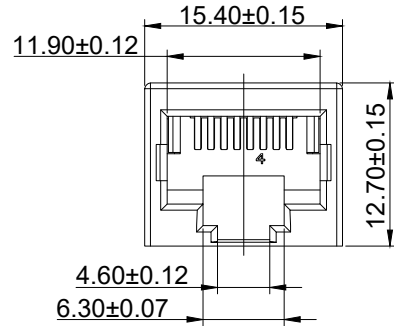


SECTION: A-A



RECOMMENDED PCB LAYOUT

NOTES:
MECHANICAL
 HOUSING : PBT UL94V-0
 INSERT : PBT UL94V-0 BLACK
 CONTACT : PHOSPHOR BRONZE
 PLATING : CONTACT AREA SELECTIVE
 : GOLD PLATING SOLDER
 : AREA TIN OVER NICKEL
 DURABILITY : 750 CYCLES
 MATING/UNMATING FORCE : 20N MAX.
 RETENTION STRENGTH : 50N FOR 60S±5

ELECTRICAL
 VOLTAGE RATING : 150 VAC RMS
 CURRENT RATING : 1.5 AMP
 CONTACT RESISTANCE : 20 mΩ MAX.
 INSULATION RESISTANCE : 1000 MΩ MIN @500V DC
 DIELECTRIC STRENGTH : 1000 DC OR AC PEAK ONE
 : CONTACT TO ALL OTHER
 : CONTACTS CONNECTED
 : TOGETHER

ENVIRONMENTAL
 STORAGE : -40°C TO +85°C
 OPERATION : -40°C TO +85°C

 E.S. GLOBAL TOP		UNIT	mm
		REVISION	02
PRODUCT		RJ45 1x1 TOP ENTRY JACK	
DWG NO.		PART NO.	
EZC0745-18N11-03			
PROJECTION	SCALE	SHEET	1 OF 1

TOLERANCES
 00~15 ± 0.15
 15~30 ± 0.20
 30~ ± 0.25
 ANGLES ± 1°