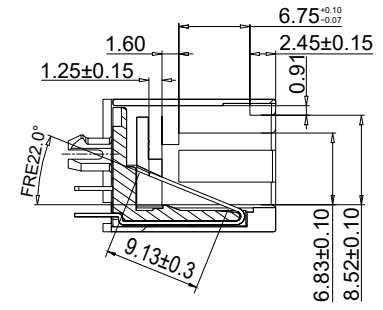
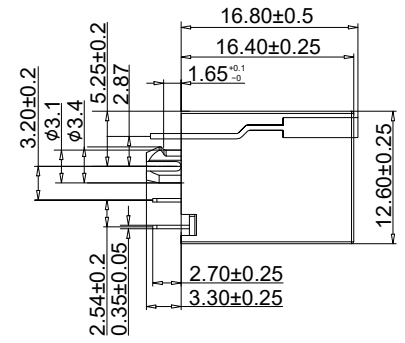




RECOMMENDED PCB LAYOUT

NOTES:
MECHANICAL
 HOUSING & INSERT : PBT 114C YELLOW
 CONTACT MATERIAL : PHOSPHOR BRONZE
 CONTACT PLATING : CONTACT AREA SELECTIVE GOLD PLATING, SOLDER AREA TIN 150U" MIN. OVER NICKEL 50"MIN.
 MATING/UNMATING FORCE : 20N MAX.
 RETENTION STRENGTH : 50N FOR 60S±5S
 DURABILITY : 750 CYCLES MIN.

ELECTRICAL
 VOLTAGE RATING : 150 VAC RMS
 CURRENT RATING : 1.5 AMP@25°C
 CONTACT RESISTANCE : 20 mΩ MAX.
 INSULATION RESISTANCE : 1000 MΩ MIN. @ 500V DC
 WITHSTAND VOLTAGE : 1000 DC OR AC PEAK ONE CONTACT TO ALL OTHER CONTACTS CONNECTED TOGETHER @0.5mA 50Hz ONE MINUTE

ENVIRONMENTAL
 STORAGE TEMPERATURE : -40°C TO +85°C
 OPERATION TEMPERATURE : -40°C TO +85°C



 E.S. GLOBAL TOP		UNIT	mm
		REVISION	04
PRODUCT		RJ45 1X4 TOP ENTRY JACK WITH LED	
DWG NO.		PART NO.	
EZC0745-48N21-01			
PROJECTION	SCALE	SHEET	1 OF 1
			
		TOLERANCES	
		00~15 ± 0.15	
		15~30 ± 0.20	
		30~ ± 0.25	
		ANGLES ± 1°	