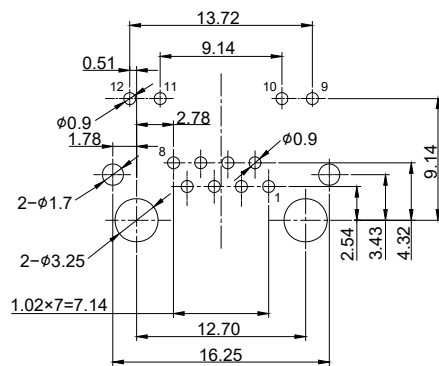
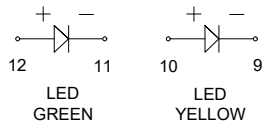
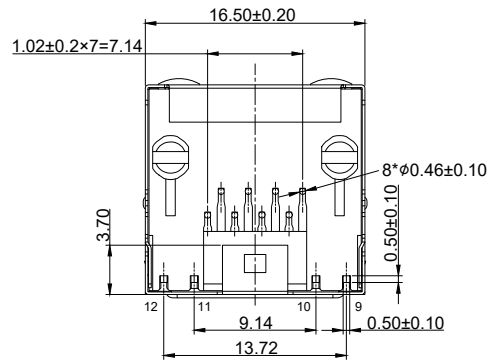
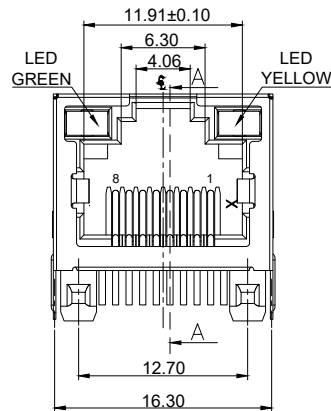


SECTION A-A



RECOMMENDED PCB LAYOUT

- NOTES:**
- MECHANICAL HOUSING** : THERMOPLASTIC GLASS
FIBER FILLED UL94V-0
BLACK
- CONTACT PLATING** : PHOSPHOR BRONZE
: GOLD PLATING AT
CONTACT AREA NICKEL
PLATING OVERALL
- DURABILITY** : 750 CYCLES MIN.
- MATING/UNMATING FORCE** : 30N / 3.06KG MAX.
- RETENTION STRENGTH** : 50N MIN. FOR 60S±5S
- ELECTRICAL**
- VOLTAGE RATING** : 125 VAC RMS
- CURRENT RATING** : 1.5 AMP
- CONTACT RESISTANCE** : 20 mΩ MAX.
- INSULATION RESISTANCE** : 1000 MΩ MIN. AT 500V DC
- DIELECTRIC STRENGTH** : 1000 V AC OR 1500V DC
RMS @ 0.5mA 50Hz / 60Hz
ONE MINUTE
- ENVIRONMENTAL STORAGE** : -40°C ~ +85°C
- ENVIRONMENTAL OPERATION** : -40°C ~ +85°C

		UNIT	mm
		REVISION	02
PRODUCT		TOLERANCES	
RJ45 1X1 SIDE ENTRY JACK WITH LED		00~15 ± 0.15 15~30 ± 0.20 30~ ± 0.25	
DWG NO.	PART NO.	ANGLES ± 1°	
EZC1145-18S21-03		PROJECTION	SCALE
		SHEET	1 OF 1