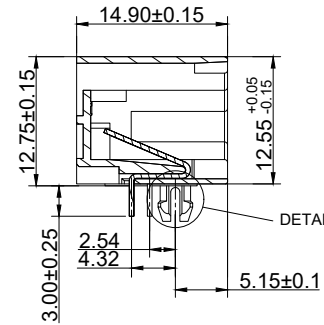


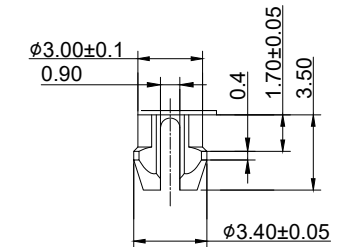
RECOMMENDED PCB LAYOUT



NOTES:  
**MECHANICAL**  
 HOUSING & INSERT : PBT UL94V-0  
 CONTACT : PHOSPHOR BRONZE Ø0.46mm  
 CONTACT PLATING : GOLD PLATING OVER NICKEL  
 MATING/UNMATING FORCE : 30N Max.  
 RETENTION STRENGTH : 50N FOR 60s±5s  
 DURABILITY : 750 CYCLES MIN.

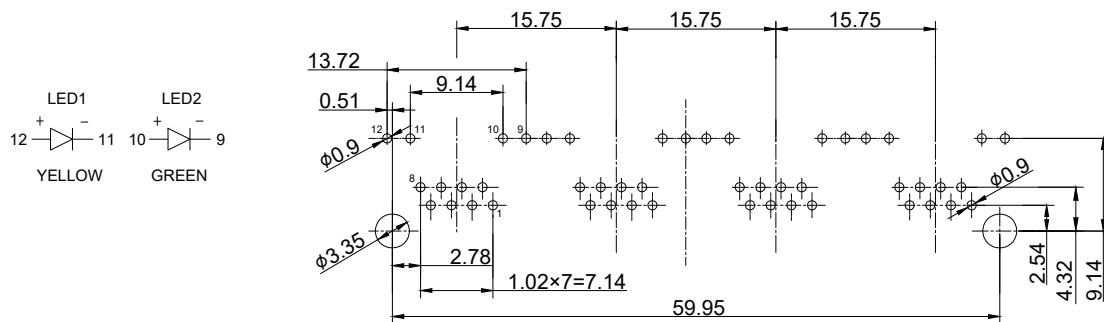
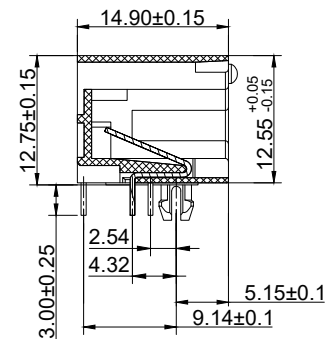
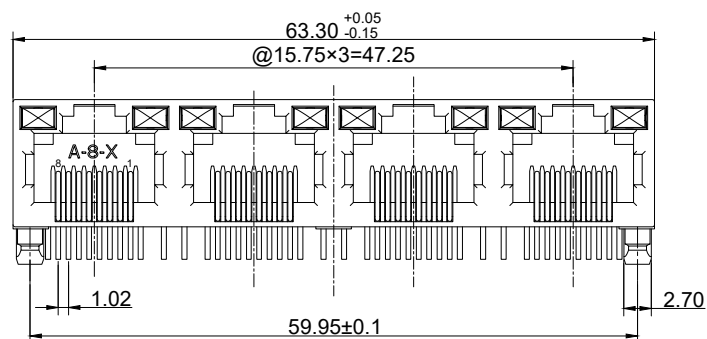
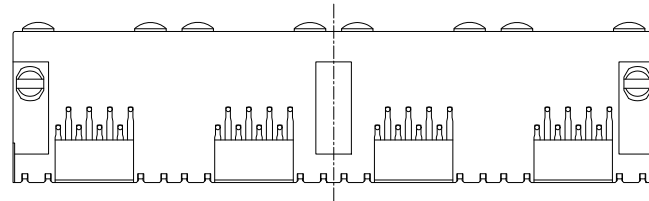
**ELECTRICAL**  
 VOLTAGE RATING : 125V AC RMS.  
 CURRENT RATING : 1.5 AMPS @25°C  
 CONTACT RESISTANCE : 20mΩ Max.  
 INSULATION RESISTANCE : 1000MΩ Min. @500V DC  
 WITHSTAND VOLTAGE : CONTACT TO CONTACT  
 1000V DC OR AC PEAK,  
 CONTACT TO SCREEN AND TEST  
 PANEL 1500V DC OR AC PEAK  
 @0.5mA 50Hz OR 60Hz ONE MINUTE

**ENVIRONMENTAL**  
 STORAGE TEMPERATURE : -40°C~+85°C  
 OPERATION TEMPERATURE : -40°C~+85°C



DETAIL

		UNIT	mm
		REVISION	00
PRODUCT		TOLERANCES	
RJ45 1X4 SIDE ENTRY JACK WITH LED		00~15 ± 0.15 15~30 ± 0.20 30~ ± 0.25 ANGLES ± 1°	
DWG NO.	PART NO.	PROJECTION	SHEET
EZC1145-48N21-05		SCALE	1 OF 2



RECOMMENDED PCB LAYOUT

		UNIT	mm
		REVISION	00
PRODUCT		RJ45 1X4 SIDE ENTRY JACK WITH LED	
DWG NO.		PART NO.	
EZC1145-48N21-05			
PROJECTION	SCALE	SHEET	2 OF 2
		TOLERANCES	
		00~15 ± 0.15	
		15~30 ± 0.20	
		30~ ± 0.25	
		ANGLES ± 1°	