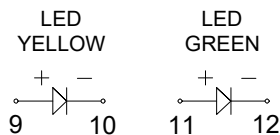
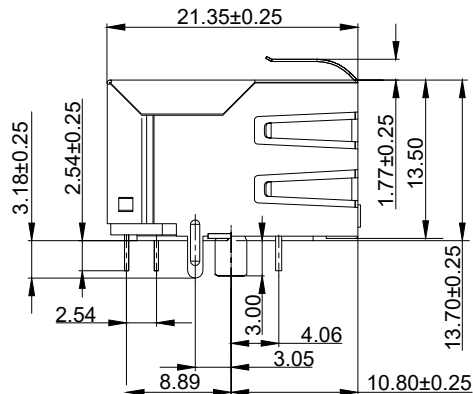


RECOMMENDED PCB LAYOUT



NOTES:

MECHANICAL  
HOUSING&INSERT  
CONTACT  
SHIELD  
PLATING

: PBT UL94V-0  
: PHOSPHOR BRONZE  
: BRASS  
: CONTACT AREA SELECTIVE  
GOLD PLATING SOLDER AREA  
TIN PLATING 120-200U" OVER  
NICKEL 40-90U" OVERALL

DURABILITY  
MATING/UNMATING FORCE  
RETENTION STRENGTH

: 750 CYCLES MIN.  
: 30N MAX.  
: 50N FOR 60S±5S

ELECTRICAL



VOLTAGE RATING  
CURRENT RATING  
CONTACT RESISTANCE  
INSULATION RESISTANCE  
DIELECTRIC STRENGTH

: 150VAC RMS  
: 1.5 AMPS  
: 20 mΩ MAX.  
: 1000 MΩ MIN. @500V DC  
: 1000V DC OR AC PEAK  
ONE CONTACT TO ALL OTHER  
CONTACTS CONNECTED  
TOGETHER, 1500V DC OR AC  
PEAK ALL CONTACTS  
CONNECTED TOGETHER TO  
SHIELD

ENVIRONMENTAL

STORAGE  
OPERATION

: -40°C ~ +85°C  
: -40°C ~ +85°C

 <b>E.S. GLOBAL TOP</b>		UNIT	mm
		REVISION	02
PRODUCT		RJ45 1X1 SIDE ENTRY JACK WITH LED	
DWG NO.		PART NO.	
EZC1445-18S21-01			
PROJECTION	SCALE	SHEET	1 OF 1
			
		ANGLES ± 1°	