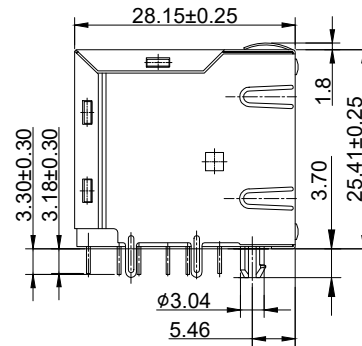
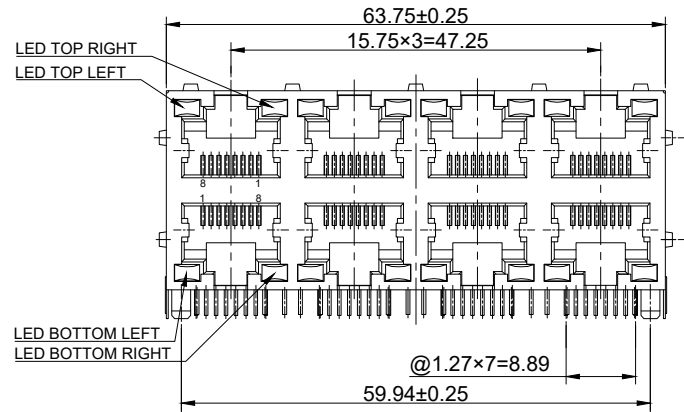


1 2 3 4 5 6

A

A



NOTES:

MECHANICAL

- HOUSING & INSERT : PA4T UL94V-0 BLACK
- CONTACT : PHOSPHOR BRONZE
- CONTACT PLATING : GOLD PLATING OVER NICKEL
- SHIELD : BRASS PLATED NICKEL
- MATING/UNMATING FORCE : 30N Max.
- RETENTION STRENGTH : 50N FOR 60s±5s.
- DURABILITY : 750 CYCLES MIN.

ELECTRICAL

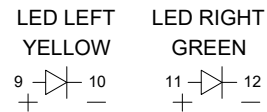
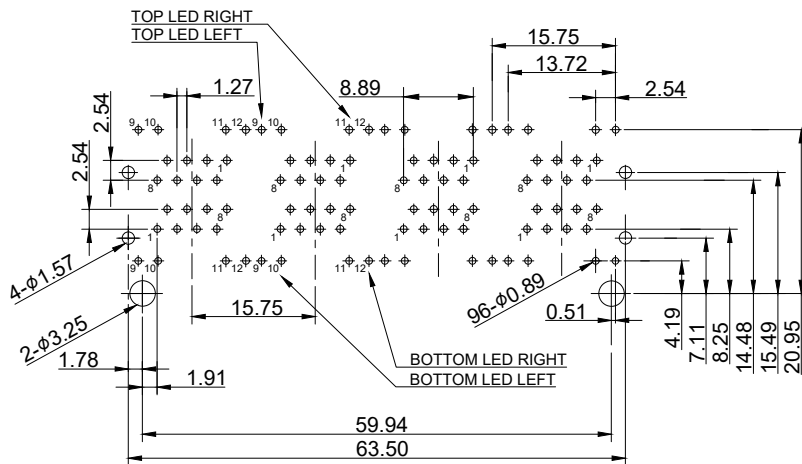
- VOLTAGE RATING : 150V AC RMS.
- CURRENT RATING : 1.5 AMP
- CONTACT RESISTANCE : 20mΩ Max.
- INSULATION RESISTANCE : 1000MΩ Min. @500V DC
- DIELECTRIC STRENGTH : CONTACT TO CONTACT 1000V DC OR AC PEAK CONTACT TO SCREEN AND TEST PANEL 1500V DC OR AC PEAK @0.5mA 50Hz OR 60Hz ONE MINUTE

ENVIRONMENTAL

- STORAGE TEMPERATURE : -40°C~+85°C
- OPERATION TEMPERATURE : -40°C~+85°C

B

B





C

C

RECOMMENDED PCB LAYOUT

D

D

 E.S. GLOBAL TOP		UNIT	mm
		REVISION	38
PRODUCT		TOLERANCES	
RJ45 2×4 SIDE ENTRY JACK WITH LED		00~15 ± 0.15 15~30 ± 0.20 30~ ± 0.25 ANGLES ± 1°	
DWG NO.	PART NO.		
EZC1445-248S11-01			
PROJECTION	SCALE	SHEET	1 OF 1
			

1 2 3 4 5 6