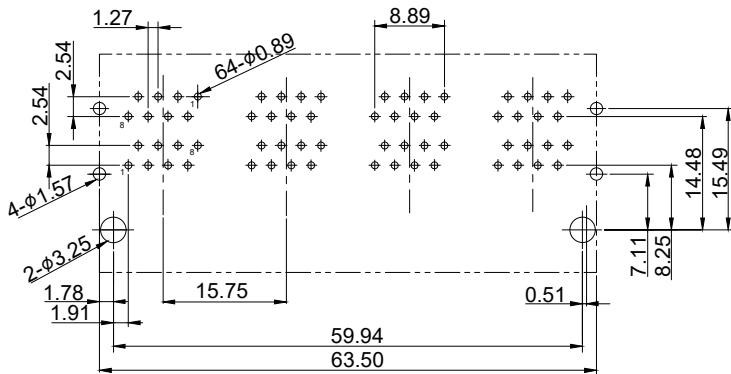


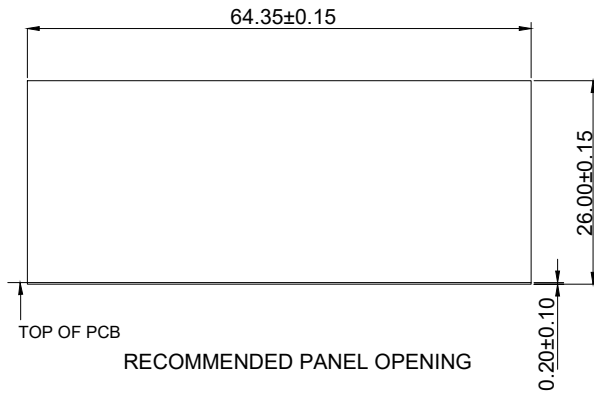
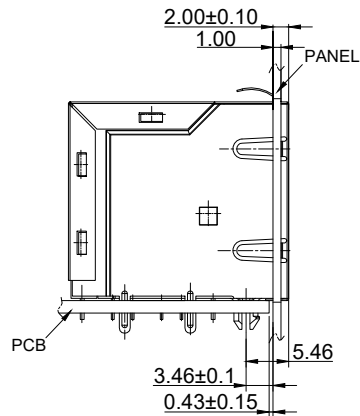
NOTES:
MECHANICAL
 HOUSING : PA66 UL94V-0 BLACK
 CONTACT : PHOSPHOR BRONZE
 PLATING : CONTACT AREA SELECTIVE GOLD PLATING SOLDER AREA TIN PLATING NICKEL OVERALL
 SHIELD : BRASS
 DURABILITY : 750 CYCLES MIN.
 MATING/UNMATING FORCE : 30N MAX.
 RETENTION STRENGTH : 50N FOR 60S±5S

ELECTRICAL
 VOLTAGE RATING : 150VAC RMS
 CURRENT RATING : 1.5 AMPS
 CONTACT RESISTANCE : 20 mΩ MAX.
 INSULATION RESISTANCE : 1000 MΩ MIN. @500V DC
 DIELECTRIC STRENGTH : 1000 V DC OR AC PEAK
 ONE CONTACT TO ALL OTHER CONTACTS CONNECTED TOGETHER 1500V DC OR AC PEAK
 ALL CONTACTS CONNECTED TOGETHER TO SHIELD



ENVIRONMENTAL
 STORAGE : -40°C ~ +85°C
 OPERATION : -40°C ~ +85°C



RECOMMENDED PCB LAYOUT



RECOMMENDED PANEL OPENING

| | | | |
|---|-------|--------------------------|--------|
|  E.S. GLOBAL TOP | | UNIT | mm |
| | | REVISION | 02 |
| PRODUCT | | RJ45 2X4 SIDE ENTRY JACK | |
| DWG NO. | | PART NO. | |
| EZC1445-248S11-02 | | | |
| PROJECTION | SCALE | SHEET | 1 OF 1 |
|  | | | |
| | | TOLERANCES | |
| | | 00~15 ± 0.15 | |
| | | 15~30 ± 0.20 | |
| | | 30~ ± 0.25 | |
| | | ANGLES ± 1° | |