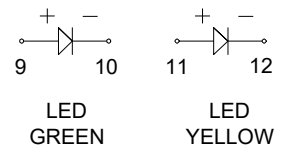
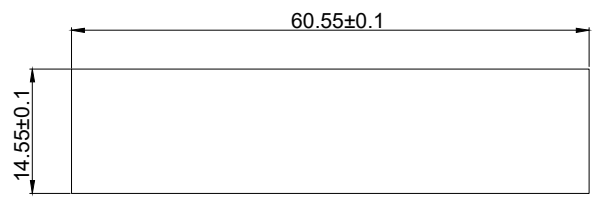
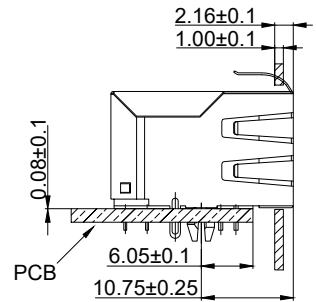
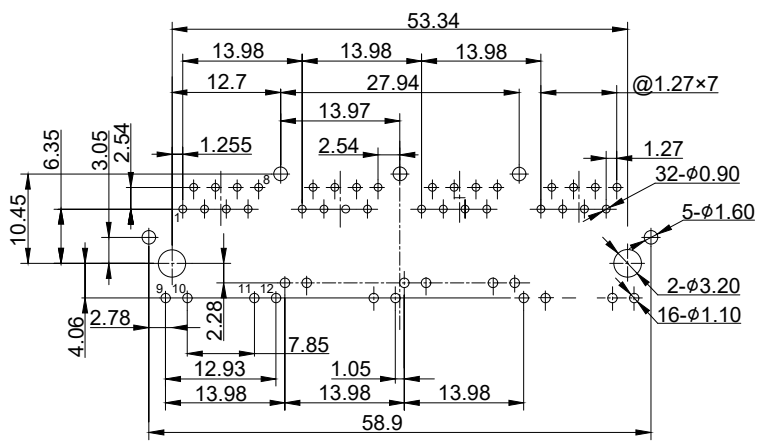
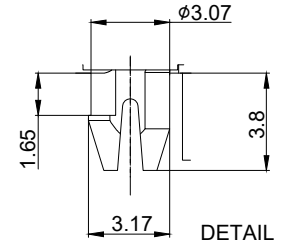
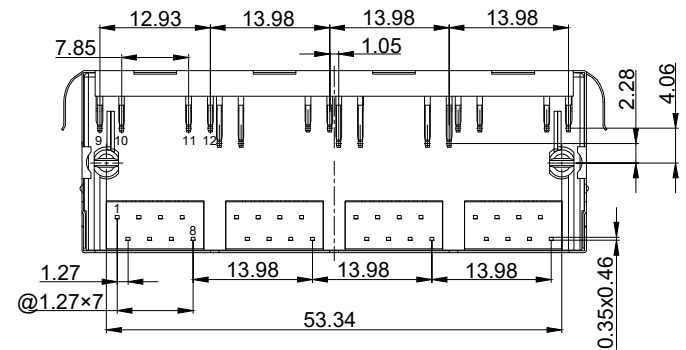


**NOTES:**  
**MECHANICAL**  
 HOUSING : PBT UL94V-0 BLACK  
 CONTACT : PHOSPHOR BRONZE  
 PLATING : CONTACT AREA SELECTIVE GOLD PLATING SOLDER AREA MATTE TIN  
 SHIELD : BRASS  
**ELECTRICAL**  
 VOLTAGE RATING : 150VAC RMS  
 CURRENT RATING : 1.5 AMPS  
 CONTACT RESISTANCE : 20 mΩ MAX.  
 INSULATION RESISTANCE : 1000 MΩ MIN. @500V DC  
 DIELECTRIC STRENGTH : 1000V DC OR AC PEAK ONE CONTACT TO ALL OTHER CONTACTS CONNECTED TOGETHER  
 1500V DC OR AC PEAK ALL CONTACTS CONNECTED TOGETHER CONNECTED TO SHIELD

**ENVIRONMENTAL**  
 STORAGE : -40°C ~ +85°C  
 OPERATION : -40°C ~ +85°C



RECOMMENDED PCB LAYOUT

RECOMMENDED PANEL OPENING

 <b>E.S. GLOBAL TOP</b>		UNIT	mm
		REVISION	02
PRODUCT		TOLERANCES	
RJ45 1X4 SIDE ENTRY JACK WITH LED		00~15 ± 0.15 15~30 ± 0.20 30~ ± 0.25	
DWG NO.	PART NO.	ANGLES ± 1°	
EZC1445-48S21-01			
PROJECTION	SCALE	SHEET	1 OF 1