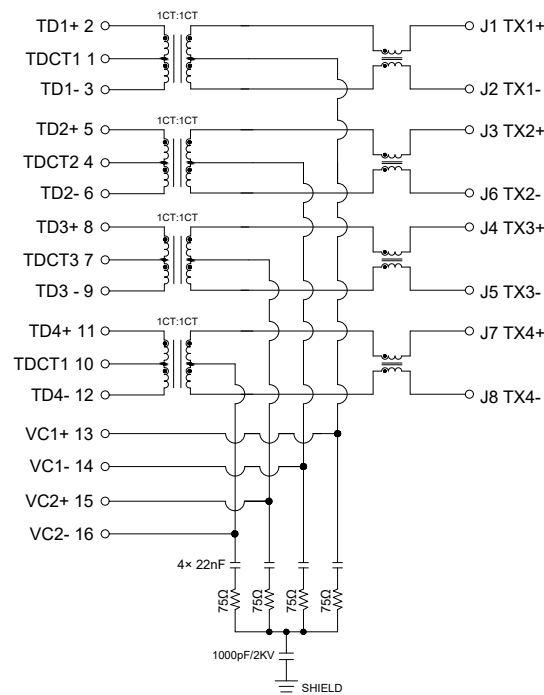


RECOMMENDED PCB LAYOUT

PCB SIDE



SCHEMATIC

CABLE SIDE

NOTES:

- HOUSING & INSERT : PA66 GLASS FILLED
UL94V-0 BLACK
- SHIELD : BRASS NICKEL PLATING
- RJ TERMINAL : PHOSPHOR BRONZE
GOLD PLATED ON CONTACT AREA
NICKEL PLATED FOR ALL AND TIN 100%
- INPUT TERMINAL : COPPER PLATED WIRE
NICKEL PLATED FOR ALL AND TIN 100%

PARAMETER	SPECIFICATIONS		
OPERATING TEMPERATURE	0°C TO +70°C		
TURNS RATIO	1.00 ± 2%		
POLARITY	PER SCHEMATIC		
INSERTION LOSS (SDD21&SDD12)	1-50MHz	50-125MHz	125-250MHz
	-0.5dB max.	-1.0dB max.	-1.5dB max.
PHY-SIDE RETURN LOSS (SDD11-Zref=100 OHMS ± 1%)	1-40MHz	40-250MHz	
	-20dB min.	-20+15*LOG ₁₀ (f/40) dB min.	
LINE-SIDE RETURN LOSS (SDD22-Zref=100 OHMS ± 1%)	1-40MHz	40-250MHz	
	-20dB min.	-20+15*LOG ₁₀ (f/40) dB min.	
INDUCTANCE (OCL)	120 uH min. @ 100KHz, 100mV		
CROSS TALK, ADJACENT CHANNELS (SDD21-ADJ.)	1-125MHz	125-250MHz	
	-30dB min.	-20dB min.	
COMMON MODE REJECTION RATIO (SCC21)	30-250MHz		
	-30dB min.		
COMM. TO DIFF REJECTION RATIO (SDC12)	10-250MHz		
	-45+f/35 dB min.		
INPUT-OUTPUT ISOLATION	2250 VDC FOR 60 SECONDS		

 E.S. GLOBAL TOP		UNIT	mm
		REVISION	A1
PRODUCT		RJ45 1x1 ICM 5G BASE-T	
DWG NO.		PART NO.	
EZI50S-110NU21-03			
PROJECTION	SCALE	SHEET	1 OF 1

TOLERANCES
 X±0.38
 XX±0.20
 XXX±0.10
 X.°2.0
 .X°1.0