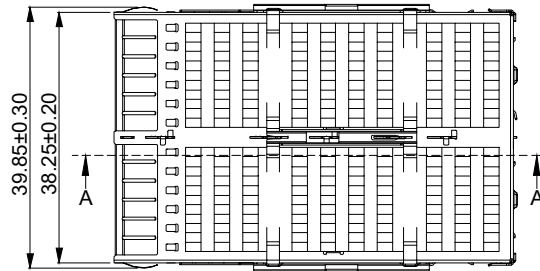
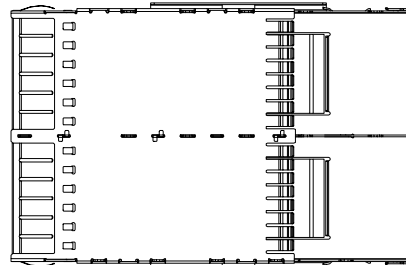
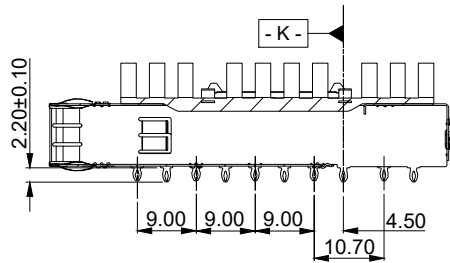
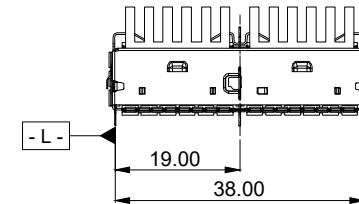
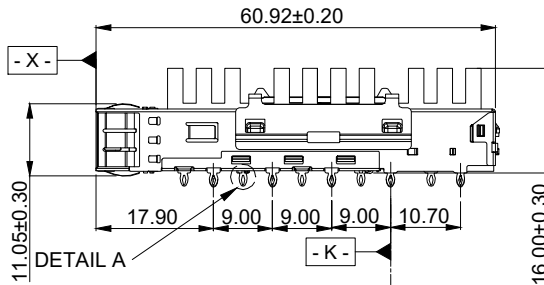
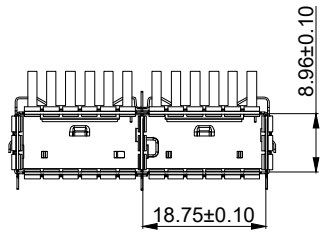

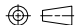


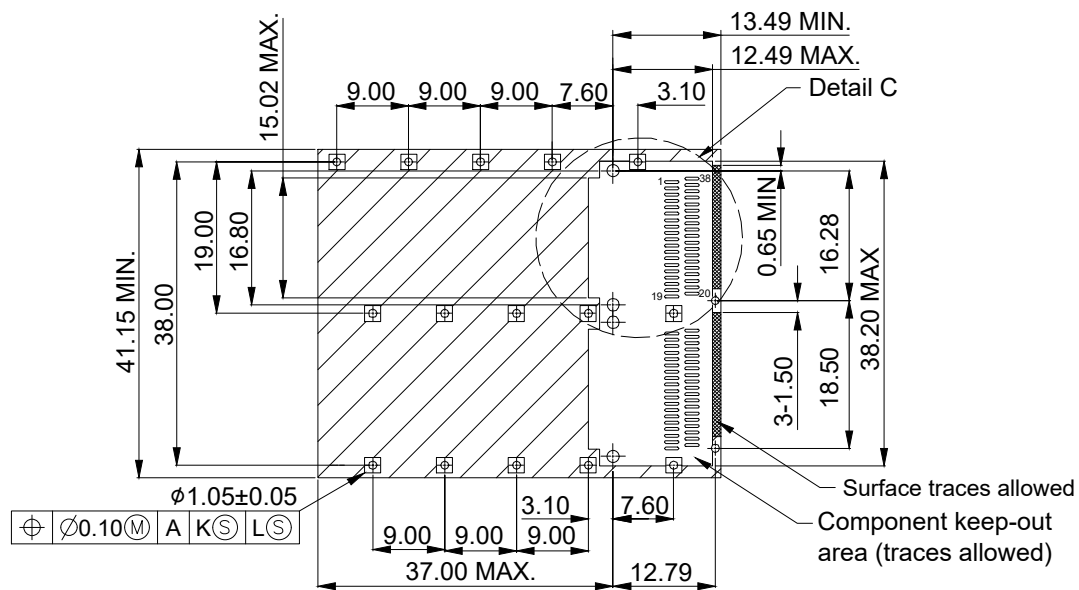
DETAIL A



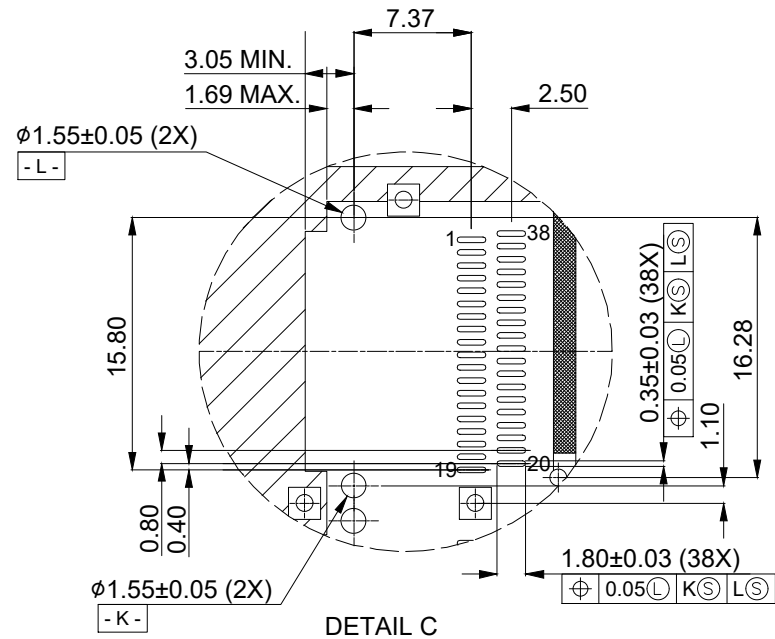
Note
 Cage: copper alloy, Ni plating
 EMI spring: beryllium copper, Ni plating
 Heat sink: aluminum
 Heat sink clip: steel



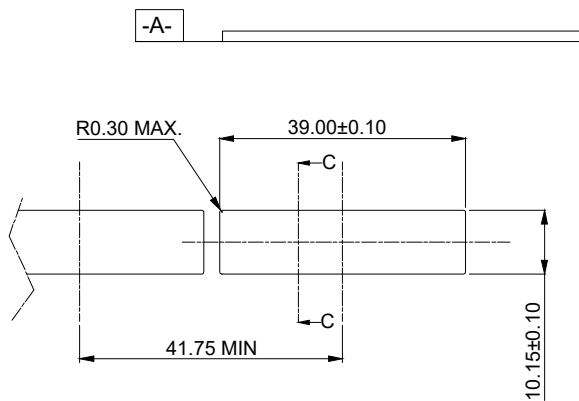
 E.S. GLOBAL TOP			UNIT	mm
			REVISION	A
PRODUCT			TOLERANCES	
QSFP28 1x2 Cage with Heat Sink			X ±0.25 XX ±0.13 XXX ±0.10 ANGLES:±2°	
DWG NO.		PART NO.		
EZQS10-2PH1-01				
PROJECTION	SCALE	SHEET		
		1 OF 2		



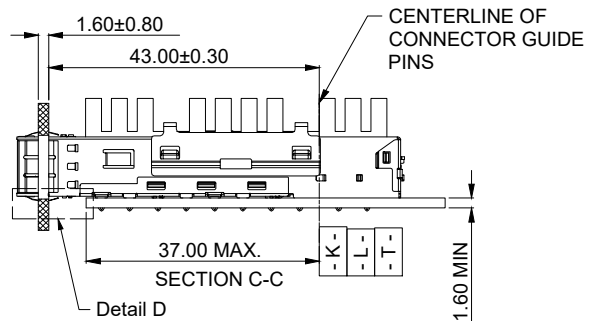
RECOMMENDED PCB LAYOUT



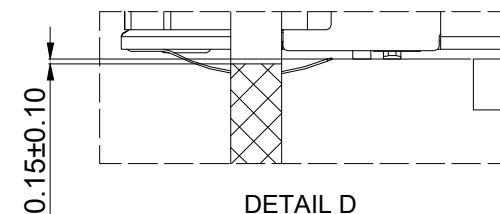
DETAIL C



RECOMMENDED PANEL OPENING



SECTION C-C



DETAIL D

 E.S. GLOBAL TOP			UNIT	mm
			REVISION	A
PRODUCT			QSF28 1x2 Cage with Heat Sink	
DWG NO.			PART NO.	
EZQS10-2PH1-01				
PROJECTION	SCALE	SHEET		
		2 OF 2		
			TOLERANCES	
			X ±0.25	
			XX ±0.13	
			XXX ±0.10	
			ANGLES: ±2°	