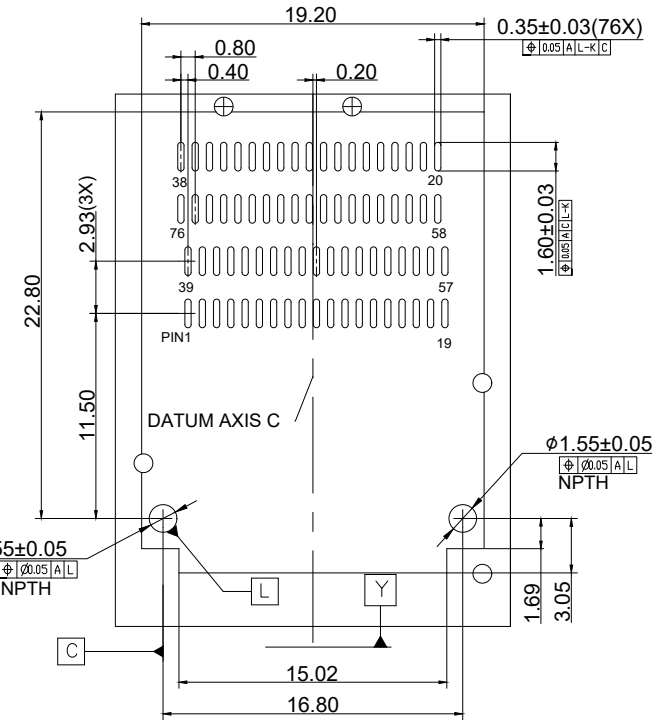
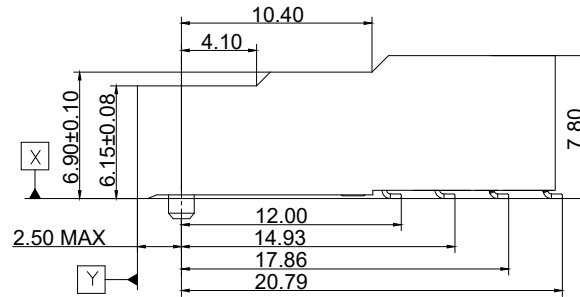
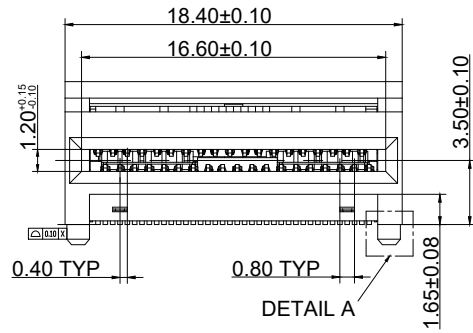
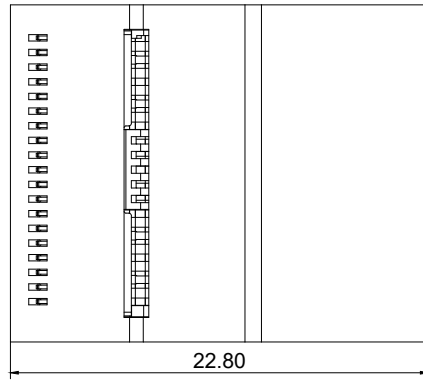
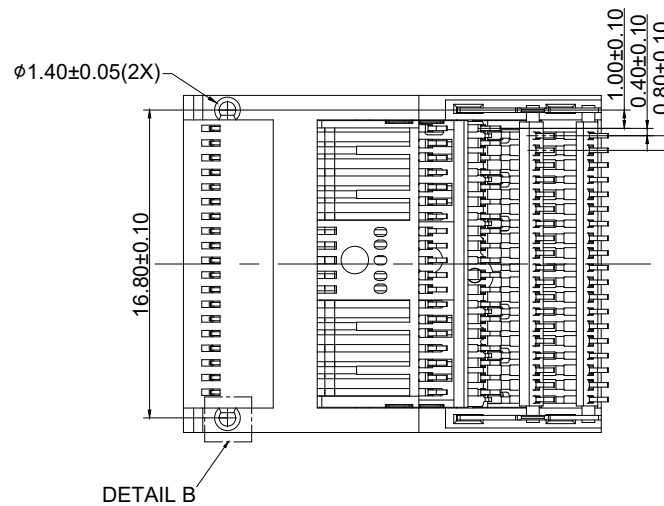
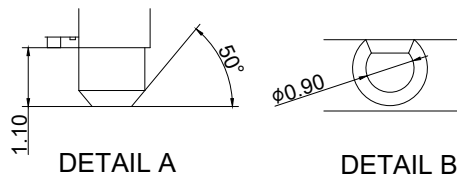

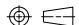


NOTES:
 MECHANICAL
 HOUSING/INSERT : LCP UL 94V-0 BLACK
 TERMINAL : COPPER ALLOY
 PLATING : Au PLATING 0.38um MIN. ON CONTACT AREA, Sn PLATING 2.54um MIN. ON SOLDER AREA OVER Ni PLATING 1.27um MIN.



RECOMMENDED PCB LAYOUT



 E.S. GLOBAL TOP		UNIT	mm
		REVISION	A
PRODUCT		QSFP-DD CONNECTOR	
DWG NO.	EZQDDC-S30	PART NO.	
PROJECTION		SCALE	SHEET
		1 OF 1	
		TOLERANCES X ±0.25 XX ±0.13 XXX ±0.10 ANGLES:±2°	