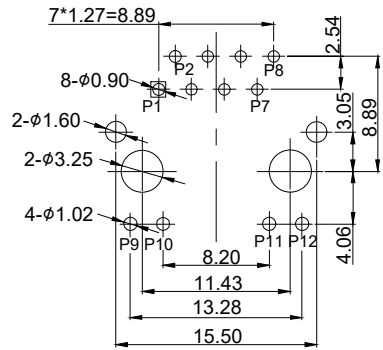
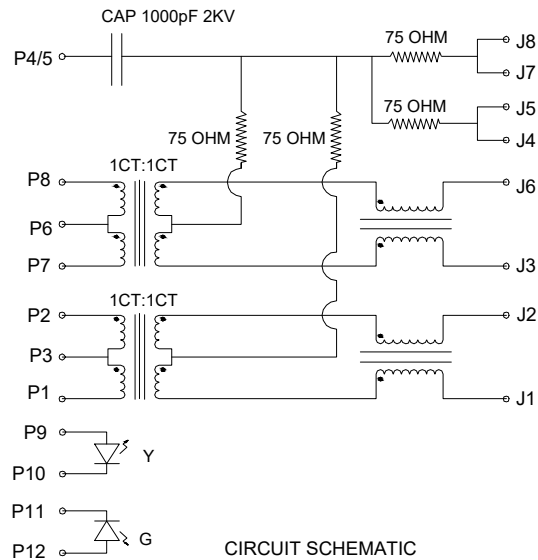
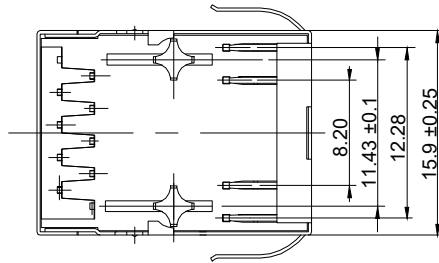


NOTES:  
**MECHANICAL**  
 HOUSING : THERMOPLASTIC  
 UL94V-0  
 CONTACT : COPPER ALLOY  
 PLATING : SELECTIVE GOLD  
 PLATING 6u" MIN.  
 IN CONTACT AREA  
 SHIELD : BRASS  
  
**ENVIRONMENTAL**  
 STORAGE : -40°C ~ +85°C  
 OPERATION 0°C ~ +70°C

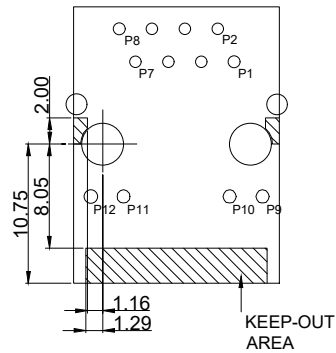


RECOMMENDED PCB LAYOUT



CIRCUIT SCHEMATIC

PARAMETER	SPECIFICATIONS	
TURN RATIO @100KHz	(P1~P2):(J1~J2) = 1:1±5% (P7~P8):(J3~J6) = 1:1±5%	
PRIMARY INDUCTANCE	350uH Min. @100KHz, 0.1V 8mA DC BIAS	
DC RESISTANCE	(J1~J2):(J3~J6) 1.2 OHMS Max.	
INSERTION LOSS	1-100MHz	-1.2dB Max.
RETURN LOSS	1-30MHz	-16dB Min.
	30-60MHz	-12dB Min.
	60-80MHz	-10dB Min.
CROSS TALK	1-100MHz	-30dB Min.
COMMON MODE REJECTION RATIO	1-100MHz	-30dB Min.
ISOLATION PHY SIDE TO LINE SIDE	1500V AC OR 2250V DC	



		UNIT	mm
		REVISION	01
PRODUCT		RJ45 1X1 ICM 10/100 BASE-T	
DWG NO.		PART NO.	
EZI01S-108ND21-01			
PROJECTION	SCALE	SHEET	1 OF 1

1

2

3

4

5

6