

LED SPECIFICATION			
STANDARD LED	WAVELENGTH	FORWARD V(Max.)	TYP
GREEN	565nm	2.4V	2.2V
YELLOW	590nm	2.5V	2.1V

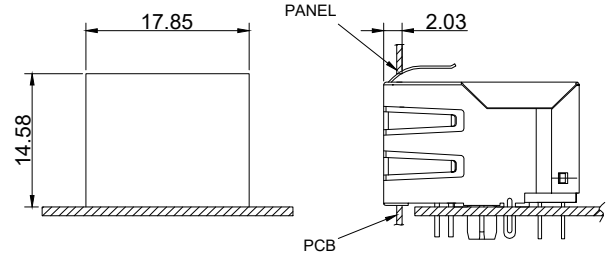
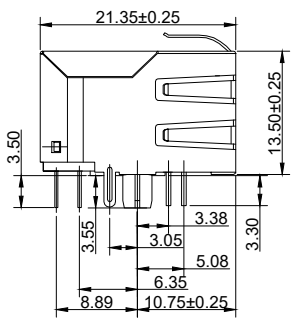
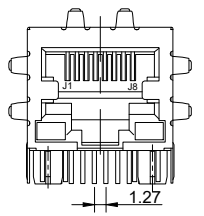
WITH A FORWARD CURRENT OF 20mA

NOTES:

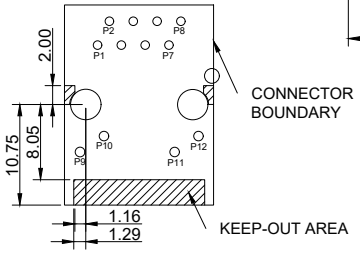
- MECHANICAL**
- HOUSING : THERMOPLASTIC UL94V-0
 - CONTACT : COPPER ALLOY
 - CONTACT PLATING : SELECTIVE GOLD, 6 MICRO-INCHES Min. IN CONTACT AREA
 - SHIELD : BRASS
 - SHIELD PLATING : NICKEL

ENVIRONMENTAL

- STORAGE TEMPERATURE : -40°C~+85°C
- OPERATION TEMPERATURE : 0°C~+70°C

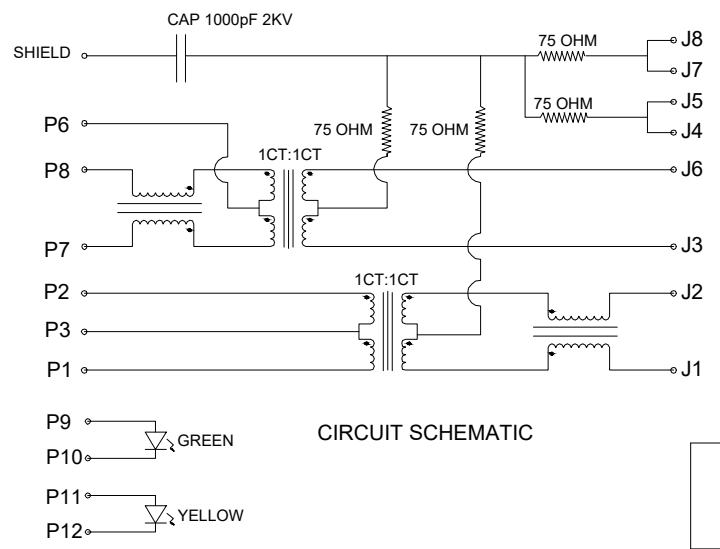


RECOMMENDED PANEL CUT OUT

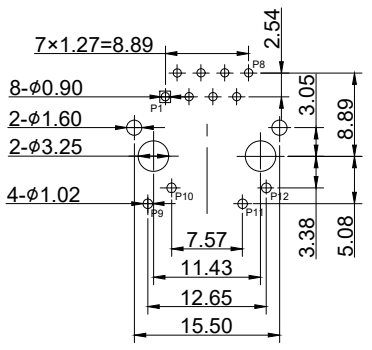


CONNECTOR BOUNDARY
KEEP-OUT AREA

PARAMETER	SPECIFICATIONS	
TURN RATIO @100KHz	(P1~P2):(J1~J2) = 1:1±5% (P7~P8):(J3~J6) = 1:1±5%	
PRIMARY INDUCTANCE	350uH Min. @100KHz, 0.1V 8mA DC BIAS	
DC RESISTANCE	(J1~J2):(J3~J6) 1.2OHMS Max.	
INSERTION LOSS	1-100MHz	-1.2dB Max.
RETURN LOSS	1-30MHz	-16dB Min.
	30-60MHz	-12dB Min.
	60-80MHz	-10dB Min.
CROSS TALK	1-100MHz	-30dB Min.
COMMON MODE REJECTION RATIO	1-100MHz	-30dB Min.
ISOLATION PHY SIDE TO LINE SIDE	1500V AC OR 2250V DC	



CIRCUIT SCHEMATIC



RECOMMENDED PCB LAYOUT

E.S. GLOBAL TOP

PRODUCT		RJ45 1X1 ICM 10/100 Base-T		UNIT	mm
DWG NO.		PART NO.		REVISION	A
EZI01S-108ND21-02				TOLERANCES	±0.10 UNLESS OTHERWISE SPECIFIED
PROJECTION	SCALE	SHEET		1 OF 1	