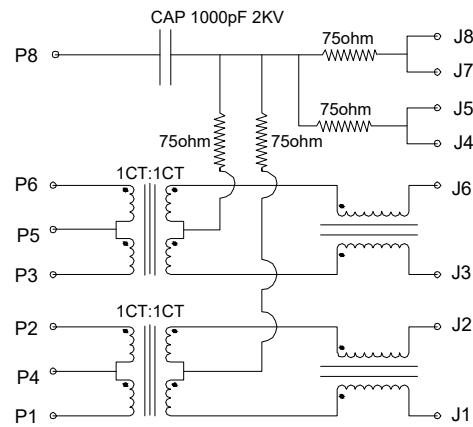
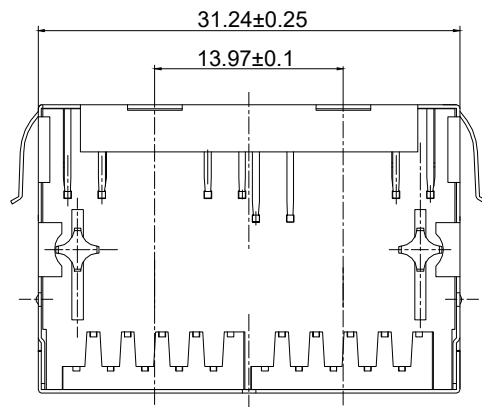
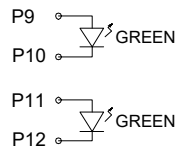
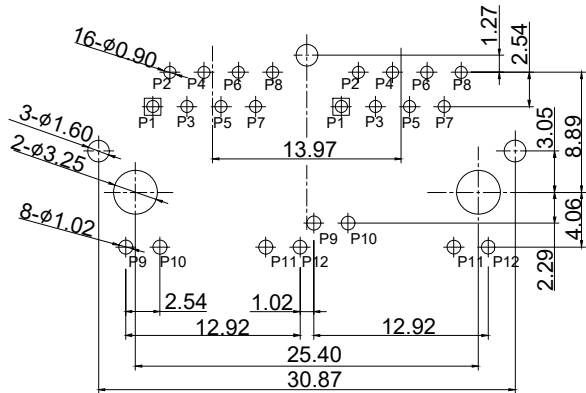


NOTES:
MECHANICAL
 HOUSING & INSERT : THERMOPLASTIC UL94 V-0
 CONTACT : COPPER ALLOY
 PLATING : SELECTIVE GOLD PLATING
 6u" MIN. IN CONTACT AREA
 SHIELD : BRASS

ENVIRONMENTAL
 STORAGE : -40°C ~ +85°C
 OPERATION : 0°C ~ +70°C



PARAMETER	SPECIFICATIONS	
TURN RATIO @100KHZ	(P1~P3):(J1~J2) = 1:1±3% (P3~P6):(J3~J6) = 1:1±3%	
PRIMARY INDUCTANCE	350uH Min. @100KHz, 0.1V 8mA DC BIAS	
DC RESISTANCE	(J1~J2):(J3~J6) 1.2 OHMS Max.	
INSERTION LOSS	1-100MHz	-1.2dB Max.
RETURN LOSS	1-30MHz	-18dB Min.
	30-60MHz	-(18-20log(f/30))dB MIN.
	60-80MHz	-12dB Min.
CROSS TALK	1-100MHz	-30dB Min.
COMMON MODE REJECTION RATIO	1-100MHz	-30dB Min.
ISOLATION PHY SIDE TO LINE SIDE	1500V AC OR 2250V DC	



CIRCUIT SCHEMATIC

RECOMMENDED PCB LAYOUT

 E.S. GLOBAL TOP		UNIT	mm
		REVISION	A
PRODUCT		RJ45 1X2 ICM 10/100 BASE-T	
DWG NO.		PART NO.	
EZI01S-208ND21-02			
PROJECTION	SCALE	SHEET	1 OF 1

±0.10 UNLESS OTHERWISE SPECIFIED