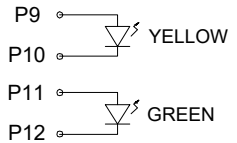
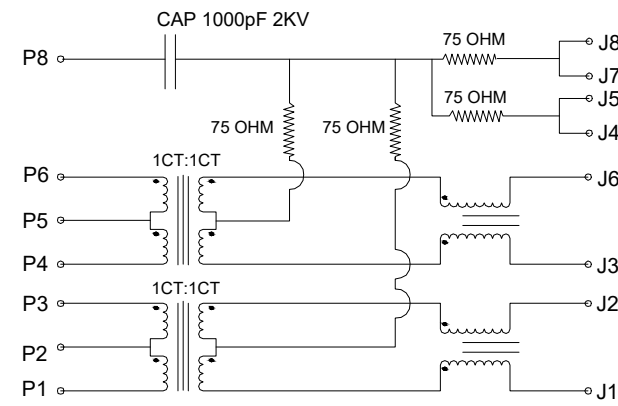


RECOMMENDED PCB LAYOUT



CIRCUIT SCHEMATIC

NOTES:  
**MECHANICAL**  
 HOUSING : THERMOPLASTIC UL94 V-0  
 CONTACT : COPPER ALLOY  
 PLATING : SELECTIVE GOLD 6u" MIN.  
           IN CONTACT AREA  
 SHIELD : BRASS

**ENVIRONMENTAL**  
 STORAGE : -40°C ~ +85°C  
 OPERATION : 0°C ~ +70°C

PARAMETER	SPECIFICATIONS	
TURN RATIO @100KHz	(P1~P3):(J1~J2) = 1:1±3% (P4~P6):(J3~J6) = 1:1±3%	
PRIMARY INDUCTANCE	350uH Min. @100KHz, 0.1V 8mA DC BIAS	
DC RESISTANCE	(J1~J2):(J3~J6) 1.2 OHMS Max.	
INSERTION LOSS	1-100MHz	-1.2dB Max.
RETURN LOSS	1-30MHz	-18dB Min.
	30-60MHz	-(18-20log(f/30))dB MIN.
	60-80MHz	-12dB Min.
CROSS TALK	1-100MHz	-30dB Min.
COMMON MODE REJECTION RATIO	1-100MHz	-30dB Min.
ISOLATION PHY SIDE TO LINE SIDE	1500V AC OR 2250V DC	

 <b>E.S. GLOBAL TOP</b>		UNIT	mm
		REVISION	04
PRODUCT		RJ45 1X2 ICM 10/100 BASE-T	
DWG NO.	EZI01S-208ND21-03	PART NO.	
PROJECTION	SCALE	SHEET	1 OF 1

±0.10 UNLESS OTHERWISE SPECIFIED