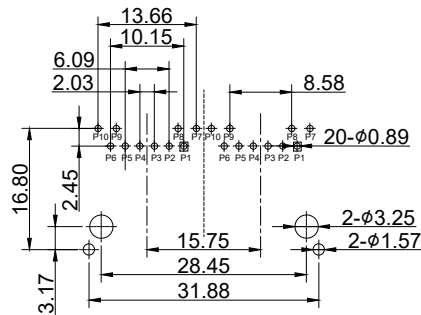
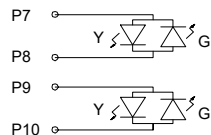
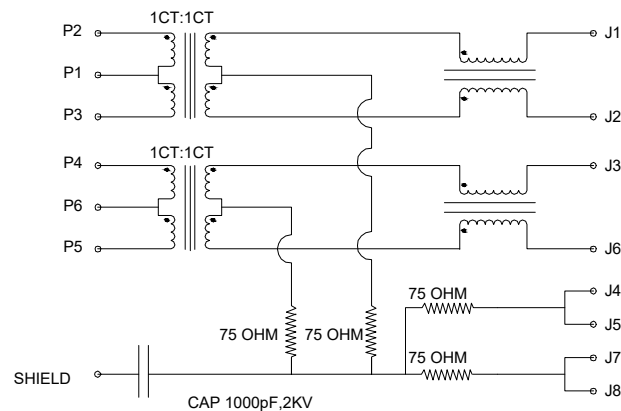


RECOMMENDED PANEL CUT OUT



RECOMMENDED PCB LAYOUT



CIRCUIT SCHEMATIC

NOTES:

MECHANICAL

- HOUSING : PA66 BLACK UL94V-0
- INSERT : PBT BLACK UL94V-0
- CONTACT : COPPER ALLOY
- CONTACT PLATING : SELECTIVE GOLD 30 MICRO-INCHS  
Min. IN CONTACT AREA
- SHIELD : BRASS
- SHIELD PLATING : NICKEL

ENVIRONMENTAL

- STORAGE TEMPERATURE : -40°C~+85°C
- OPERATION TEMPERATURE : -40°C~+85°C

LED SPECIFICATION			
STANDARD LED	WAVELENGTH	FORWARD V(Max.)	TYP
GREEN	565nm	2.5V	2.2V
YELLOW	585nm	2.5V	2.1V

WITH A FORWARD CURRENT OF 20mA

PARAMETER	SPECIFICATIONS	
TURN RATIO @100KHz	(P2~P3):(J1~J2) = 1:1±5% (P4~P5):(J3~J6) = 1:1±5%	
PRIMARY INDUCTANCE	350uH Min. @100KHz, 0.1V 8mA DC BIAS	
DC RESISTANCE	(J1~J2):(J3~J6) 1.2OHMS Max.	
INSERTION LOSS	1-100MHz	-1.2dB Max.
RETURN LOSS	1-30MHz	-16dB Min.
	30-60MHz	-12dB Min.
	60-80MHz	-10dB Min.
CROSS TALK	1-100MHz	-30dB Min.
COMMON MODE REJECTION RATIO	1-100MHz	-30dB Min.
ISOLATION PHY SIDE TO LINE SIDE	1500V AC OR 2250V DC	

		UNIT	mm
		REVISION	A
PRODUCT		RJ45 1X2 ICM 10/100 Base-T	
DWG NO.		PART NO.	
EZI01S-208NU21-01			
PROJECTION	SCALE	SHEET	1 OF 1