
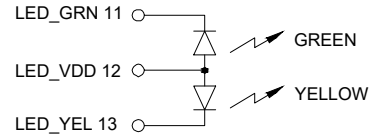
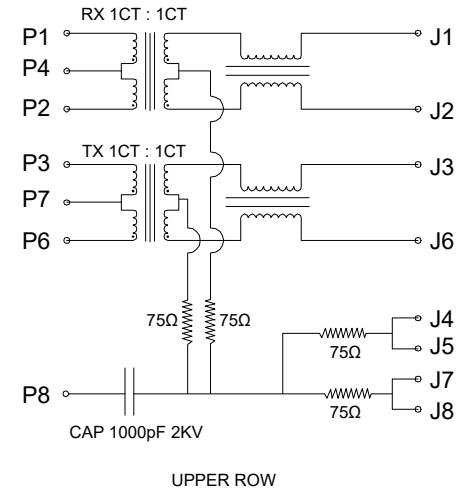
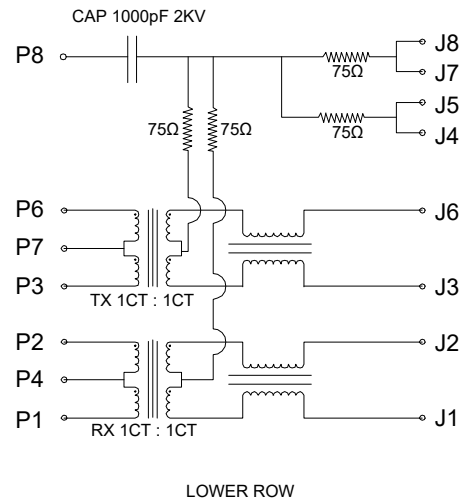
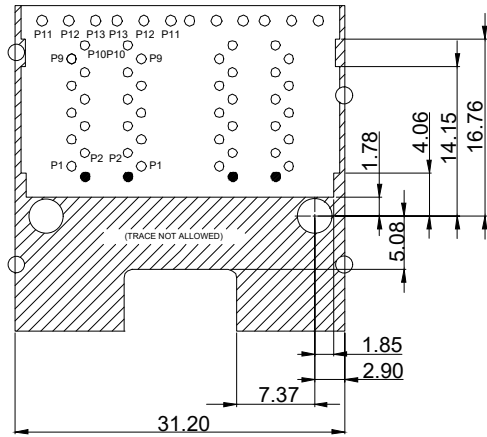


RECOMMENDED PCB LAYOUT

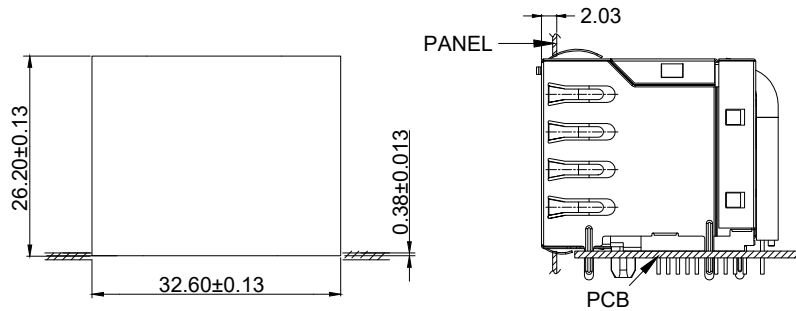
NOTES:  
 MECHANICAL  
 HOUSING & INSERT : THERMOPLASTIC UL94 V-0  
 CONTACT : COPPER ALLOY  
 PLATING : SELECTIVE GOLD PLATING  
 6u" MIN. IN CONTACT AREA  
 SHIELD : BRASS  
 ENVIRONMENTAL  
 STORAGE : -40°C ~ +85°C  
 OPERATION : 0°C ~ +70°C

PARAMETER	SPECIFICATIONS	
TURN RATIO @100KHz	(P1~P2):(J1~J2) = 1:1±5% (P3~P6):(J3~J6) = 1:1±5%	
PRIMARY INDUCTANCE	350uH Min. @100KHz, 0.1V 8mA DC BIAS	
DC RESISTANCE	(J1~J2):(J3~J6) 1.2 OHMS Max.	
INSERTION LOSS	1-100MHz	-1.2dB Max.
	1-30MHz	-16dB Min.
	30-60MHz	-12dB Min.
RETURN LOSS	60-80MHz	-10dB Min.
CROSS TALK	1-100MHz	-30dB Min.
COMMON MODE REJECTION RATIO	1-100MHz	-30dB Min.
ISOLATION PHY SIDE TO LINE SIDE	1500V AC OR 2250V DC	


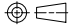
 <b>E.S. GLOBAL TOP</b>		UNIT	mm
		REVISION	A
PRODUCT		RJ45 2X2 ICM 10/100 Base-T	
DWG NO.	PART NO.	TOLERANCES ±0.10 UNLESS OTHERWISE SPECIFIED	
EZI01S-2410N21-01			
PROJECTION	SCALE	SHEET	1 OF 2



CIRCUIT SCHEMATIC



RECOMMENDED PANEL OPENING

 <b>E.S. GLOBAL TOP</b>		UNIT	mm
		REVISION	A
PRODUCT		RJ45 2X2 ICM 10/100 Base-T	
DWG NO.	PART NO.	TOLERANCES	
EZI01S-2410N21-01			
PROJECTION	SCALE	SHEET	±0.10 UNLESS OTHERWISE SPECIFIED
		2 OF 2	