

LED SPECIFICATION				
STANDARD LED	WAVELENGTH	FORWARD CURRENT	FORWARD V(Max.)	TYP
GREEN	565nm	20mA	2.4V	2.2V
YELLOW	590nm	20mA	2.4V	2.1V

WITH A FORWARD CURRENT OF 20mA

NOTES:


MECHANICAL

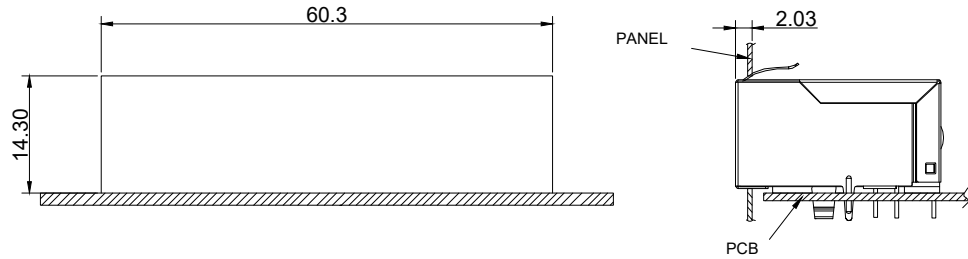
- HOUSING : THERMOPLASTIC UL94V-0
- CONTACT : COPPER ALLOY
- CONTACT PLATING : SELECTIVE GOLD 6 MICRO-INCHS
Min. IN CONTACT AREA
- SHIELD : BRASS
- SHIELD PLATING : NICKEL

ENVIRONMENTAL

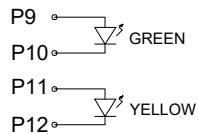
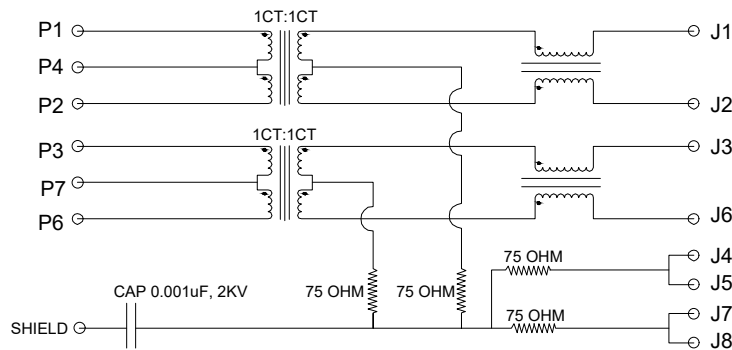
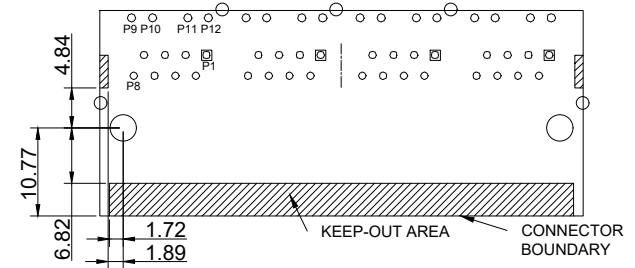
- STORAGE TEMPERATURE : -40°C~+85°C
- OPERATION TEMPERATURE : 0°C~+70°C

PARAMETER	SPECIFICATIONS	
TURN RATIO @100KHz	(P1~P2):(J1~J2) = 1:1±5% (P7~P6):(J3~J6) = 1:1±5%	
PRIMARY INDUCTANCE	350uH Min. @100KHz, 0.1V 8mA DC BIAS	
DC RESISTANCE	(J1~J2):(J3~J6) 1.2OHMS Max.	
INSERTION LOSS	1-100MHz	-1.2dB Max.
RETURN LOSS	1-30MHz	-16dB Min.
	30-60MHz	-12dB Min.
	60-80MHz	-10dB Min.
CROSS TALK	1-100MHz	-30dB Min.
COMMON MODE REJECTION RATIO	1-100MHz	-30dB Min.
ISOLATION	PHY SIDE TO LINE SIDE 1500V AC OR 2250V DC	
DC CURRENT / VOLTAGE RATING - PSE PINS	350mA @57V (CONTINUOUS)	

 E.S. GLOBAL TOP		UNIT	mm
		REVISION	A
PRODUCT		RJ45 1X4 ICM 10/100 Base-T	
DWG NO.	EZI01S-408NU21-01	PART NO.	
PROJECTION	SCALE	SHEET	1 OF 2
		±0.10 UNLESS OTHERWISE SPECIFIED	

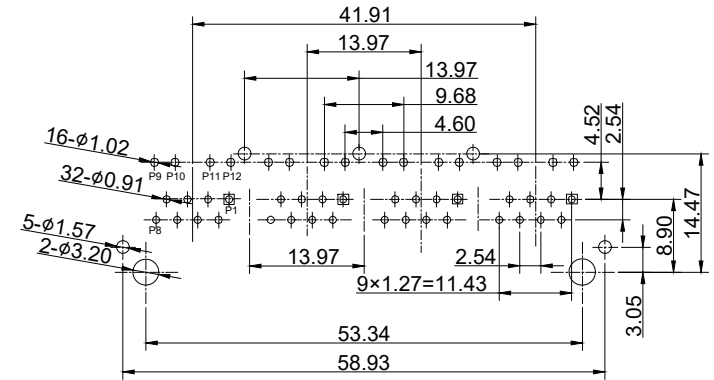


RECOMMENDED PANEL CUT OUT



PIN	GREEN		YELLOW
P9	+	P11	+
P10	-	P12	-

CIRCUIT SCHEMATIC



RECOMMENDED PCB LAYOUT

		UNIT	mm
		REVISION	A
PRODUCT		RJ45 1X4 ICM 10/100 Base-T	
DWG NO.		PART NO.	
EZI01S-408NU21-01			
PROJECTION	SCALE	SHEET	
		2 OF 2	
		TOLERANCES	
		±0.10 UNLESS OTHERWISE SPECIFIED	