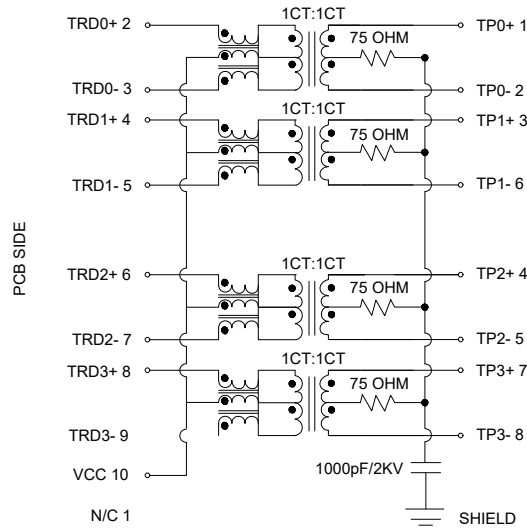


RECOMMENDED PBC LAYOUT



CIRCUIT SCHEMATIC



NOTES:


MECHANICAL

- HOUSING : NYLON66GLASS FILLED
POLYESTER UL94V-0 BLACK
- SHIELD : BRASS C2680H PLATING NICKEL
20u" Min.
- RJ TERMINAL : NYLON66 UL94V-0 BLACK
PHOSPHOR BRONZE C5210EH
NICKEL 40u"~60u" FOR ALL AND
Sn 100% AND GOLD PLATING
- INPUT TERMINAL : NYLON66 GLASS FILLED
UL94V-0 BLACK SUS430
NICKEL 40u"~60u" FOR ALL AND
Sn 100%


ENVIRONMENTAL

OPERATION TEMPERATURE : 0°C~+70°C

PARAMETER	SPECIFICATIONS	
POLARITY	PER SCHEMATIC	
PRIMARY INDUCTANCE	120uH Min. @100KHz, 100mV	
INSERTION LOSS	1-65MHz	-0.8dB Max.
	65-125MHz	-1.0dB Max.
	125-400MHz	-2.5dB Max.
RETURN LOSS	400-500MHz	-3.5dB Max.
	1-40MHz	-18dB Min.
	40-400MHz	-18+10*LOG ₁₀ (f/40) dB Min.
CROSS TALK	300-500MHz	-8+30*LOG ₁₀ (f/400) dB Min.
	1-100MHz	-30dB Min.
COMMON MODE REJECTION RATIO	100-500MHz	-20dB Min.
	1-100MHz	-30dB Min.
	100-300MHz	-22dB Min.
COMM. MODE REJECTION RATIO	300-500MHz	-17dB Min.
	1-100MHz	-32dB Min.
	100-300MHz	-27dB Min.
ISOLATION	2250V DC FOR 60s	



E.S. GLOBAL TOP

UNIT		mm
REVISION		P1
PRODUCT		RJ45 1x1 ICM 10G Base-T
DWG NO.	PART NO.	
EZ111S-110NU21-02		
PROJECTION	SCALE	SHEET
		1 OF 1
TOLERANCES		.0 ± 0.38 .00 ± 0.20 .000 ± 0.10 0.° ± 2.0° 1.0° ± 1.0°