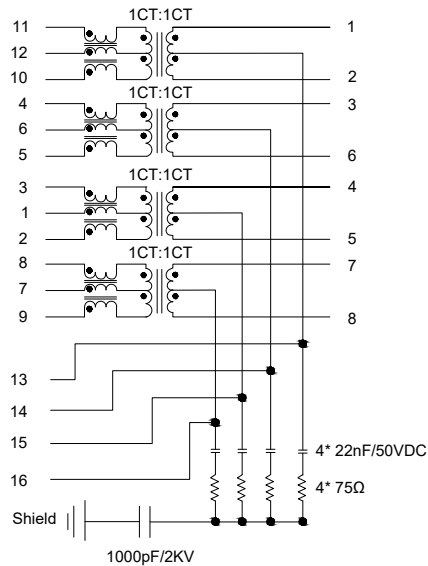


RECOMMENDED PCB LAYOUT



CIRCUIT SCHEMATIC

HOUSING	: PA46 GLASS FILLED POLYESTER UL94V-0 BLACK
SHIELD	: BRASS C2680H PLATING NICKEL 20u" Min.
RJ TERMINAL	: PA46 UL94V-0 BLACK PHOSPHOR BRONZE C5210EH NICKEL 40u"~60u" FOR ALL Sn 100% AND GOLD PLATING
INPUT TERMINAL	: PA46, GLASS FILLED UL94V-0 BLACK C2680 NICKEL 40u"~60u" FOR ALL AND Sn 100%
STORAGE TEMPERATURE	: -40°C~+85°C
OPERATION TEMPERATURE	: 0°C~+70°C

PARAMETER	SPECIFICATIONS	
POLARITY	PER SCHEMATIC	
PRIMARY INDUCTANCE	120uH Min. @100KHz, 100mV	
INSERTION LOSS	1-65MHz	-0.8dB Max.
	65-125MHz	-1.0dB Max.
	125-400MHz	-2.5dB Max.
	400-500MHz	-3.5dB Max.
RETURN LOSS	1-40MHz	-18dB Min.
	40-400MHz	-18+10*LOG ₁₀ (f/40) dB Min.
	300-500MHz	-8+30*LOG ₁₀ (f/400) dB Min.
CROSS TALK	1-100MHz	-30dB Min.
	100-500MHz	-20dB Min.
COMMON MODE REJECTION RATIO	1-100MHz	-30dB Min.
	100-300MHz	-22dB Min.
	300-500MHz	-17dB Min.
COMM. TO DIFF. REJECTION RATIO	1-100MHz	-32dB Min.
	100-300MHz	-27dB Min.
	300-500MHz	-22dB Min.
ISOLATION	2250V DC FOR 60s	
BALANCED DC LINE CURRENT	1A max. @57V DC continuous for one pair	

		UNIT	mm
		REVISION	P1
PRODUCT		RJ45 1x1 ICM 10G PoE	
DWG NO.		PART NO.	
EZ111S-115NU21-02			
PROJECTION	SCALE	SHEET	1 OF 1

TOLERANCES	.0 ± 0.38
	.00 ± 0.20
	.000 ± 0.10
	0.° ± 2.0°
	1.0° ± 1.0°