

NOTES:

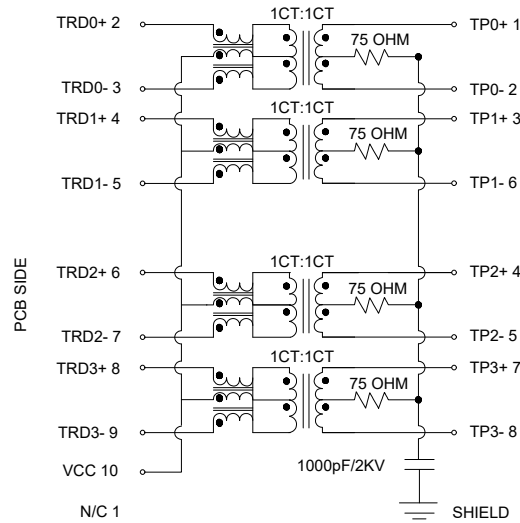
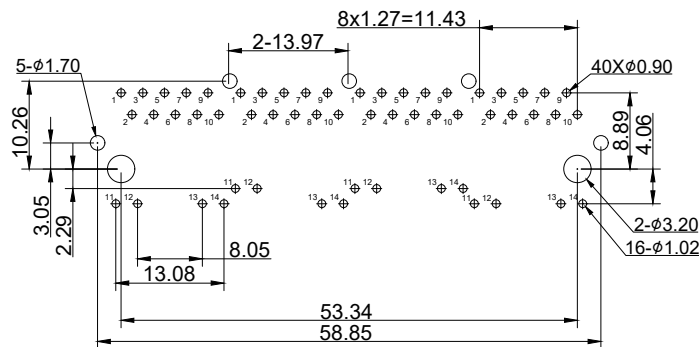
MECHANICAL

- HOUSING : NYLON66 GLASS FILLED  
POLYESTER UL94V-0 BLACK
- SHIELD : BRASS C2680H PLATING NICKEL  
20u" Min.
- RJ TERMINAL : NYLON66 UL94V-0 BLACK  
PHOSPHOR BRONZE C5210EH  
NICKEL 40u"~60u" FOR ALL AND  
Sn 100%, AND GOLD PLATING
- INPUT TERMINAL : NYLON66 GLASS FILLED  
UL94V-0 BLACK SUS430  
NICKEL 40u"~60u" FOR ALL AND  
Sn 100%

ENVIRONMENTAL

OPERATION TEMPERATURE : 0°C~+70°C

PARAMETER	SPECIFICATIONS	
POLARITY	PER SCHEMATIC	
PRIMARY INDUCTANCE	120uH Min. @100KHz, 100mV	
INSERTION LOSS	1-65MHz	-0.8dB Max.
	65-125MHz	-1.0dB Max.
	125-400MHz	-2.5dB Max.
RETURN LOSS	400-500MHz	-3.5dB Max.
	1-40MHz	-18dB Min.
	40-400MHz	-18+10*LOG <sub>10</sub> (f/40) dB Min.
CROSS TALK	300-500MHz	-8+30*LOG <sub>10</sub> (f/400) dB Min.
	1-100MHz	-30dB Min.
COMMON MODE REJECTION RATIO	100-300MHz	-22dB Min.
	300-500MHz	-17dB Min.
	1-100MHz	-32dB Min.
COMM. MODE REJECTION RATIO	100-300MHz	-27dB Min.
	300-500MHz	-22dB Min.
	1-100MHz	-32dB Min.
ISOLATION	2250V DC FOR 60s	



CIRCUIT SCHEMATIC



		UNIT	mm
		REVISION	P1
PRODUCT	RJ45 1x4 ICM 10G Base-T		TOLERANCES
DWG NO.	EZ111S-410ND21-01	PART NO.	.0 ± 0.38 .00 ± 0.20 .000 ± 0.10 0.° ± 2.0° 0.° ± 1.0°
PROJECTION	SCALE	SHEET	1 OF 1