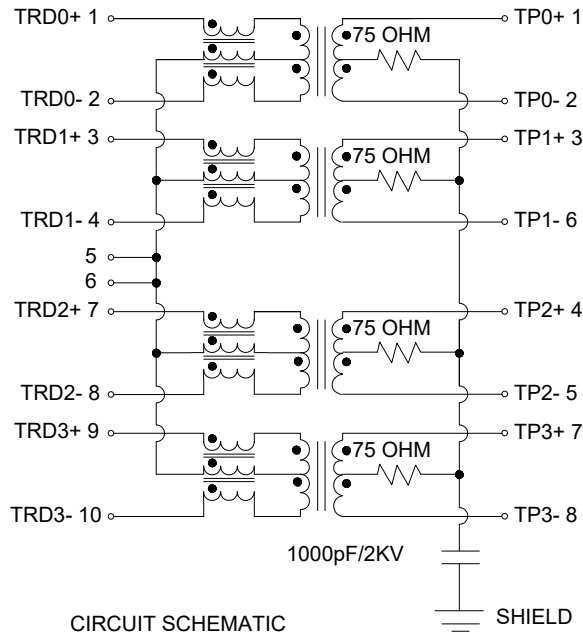
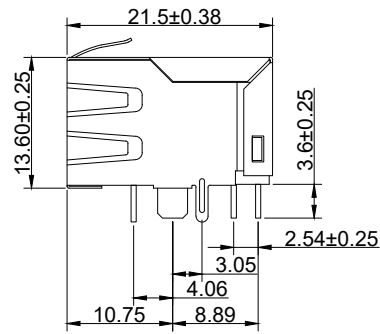


RECOMMENDED PCB LAYOUT




CIRCUIT SCHEMATIC



- NOTES:
- MECHANICAL**
 - HOUSING : NYLON66 GLASS FILLED
POLYESTER UL94V-0 BLACK
 - SHIELD : BRASS C2680 H PLATING NICKEL
20u" Min.
 - RJ TERMINAL : NYLON66 UL94V-0 BLACK
PHOSPHOR BRONZE C5210EH
NICKEL 40u"~60u" FOR ALL AND
Sn 100% AND GOLD PLATING
 - INPUT TERMINAL : NYLON66 GLASS FILLED
UL94V-0 BLACK
SUS430 NICKEL 40u"~60u" FOR
ALL AND SN 100%

ENVIRONMENTAL
OPERATION TEMPERATURE : 0°C~+70°C

PARAMETER	SPECIFICATIONS	
TURN RATIO @100KHz	1.00±2%	
POLARITY	PER SCHEMATIC	
PRIMARY INDUCTANCE	120uH Min. @100KHz, 100mV	
INSERTION LOSS	1-50MHz	-0.5dB Max.
	50-125MHz	-1.0dB Max.
RETURN LOSS	1-40MHz	-20dB Min.
	40-200MHz	-20+15*LOG ₁₀ (f/40) dB Min.
CROSS TALK	1-125MHz	-30dB Min.
COMMON MODE REJECTION RATIO	30-200MHz	-30dB Min.
COMM. MODE REJECTION RATIO	10-125MHz	-45+f/35 dB Min.
ISOLATION	2250V DC FOR 60s	

 E.S. GLOBAL TOP		UNIT	mm
		REVISION	P1
PRODUCT		RJ45 1x1 ICM 2.5G Base-T	
DWG NO.		PART NO.	
EZI25S-110ND21-01			
PROJECTION	SCALE	SHEET	1 OF 1
