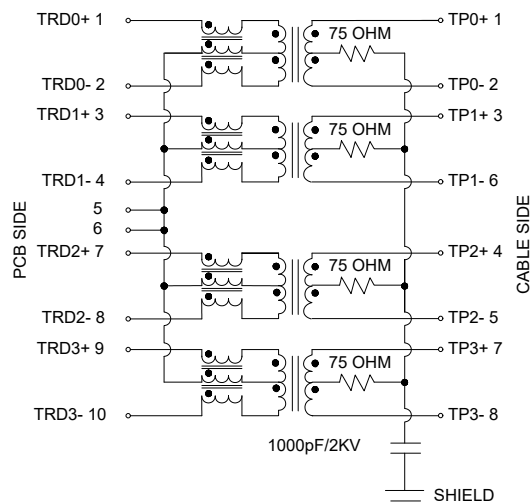
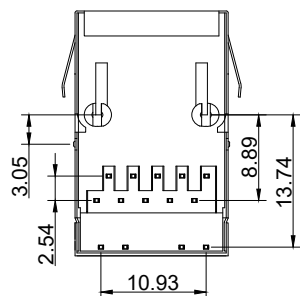
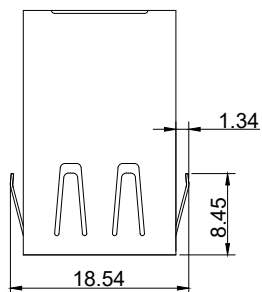


RECOMMENDED PCB LAYOUT

NOTES:
MECHANICAL
 HOUSING : NYLON66 GLASS FILLED
 POLYESTER UL94V-0 BLACK
 SHIELD : BRASS C2680H PLATING NICKEL
 20u" Min.
 RJ TERMINAL : NYLON66 UL94V-0 BLACK
 PHOSPHOR BRONZE C5210EH
 NICKEL 40u"-60u" FOR ALL AND
 Sn 100%, AND GOLD PLATING
 INPUT TERMINAL : NYLON66 GLASS FILLED
 UL94V-0 BLACK
 SUS430 NICKEL 40u"-60u" FOR
 ALL AND Sn 100%

ENVIRONMENTAL
 OPERATION TEMPERATURE : 0°C~+70°C



CIRCUIT SCHEMATIC



PARAMETER	SPECIFICATIONS	
TURN RATIO @100KHz	1.00±2%	
POLARITY	PER SCHEMATIC	
PRIMARY INDUCTANCE	120uH Min. @100KHz, 100mV	
INSERTION LOSS	1-50MHz	-0.5dB Max.
	50-125MHz	-1.0dB Max.
RETURN LOSS	1-40MHz	-20dB Min.
	40-200MHz	-20+15*LOG ₁₀ (f/40) dB Min.
CROSS TALK	1-125MHz	-30dB Min.
COMMON MODE REJECTION RATIO	30-200MHz	-30dB Min.
COMM. MODE REJECTION RATIO	10-125MHz	-45+f/35 dB Min.
ISOLATION	2250V DC FOR 60s	

		UNIT	mm
		REVISION	P1
PRODUCT		RJ45 1x1 ICM 2.5G Base-T	
DWG NO.		PART NO.	
EZI25S-110NU21-02			
PROJECTION	SCALE	SHEET	1 OF 1