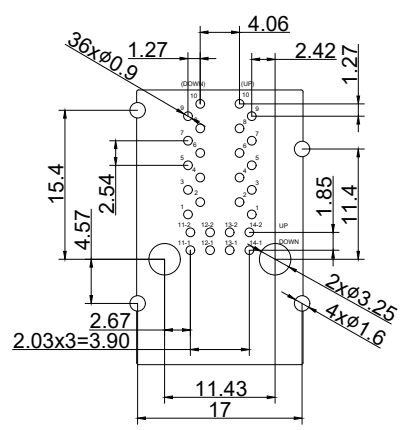
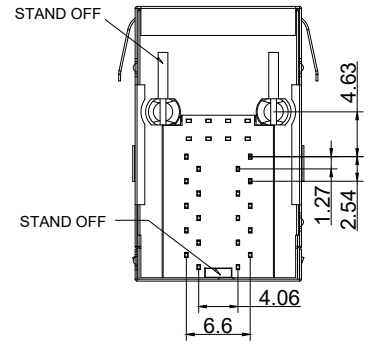
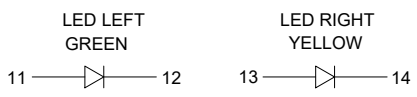
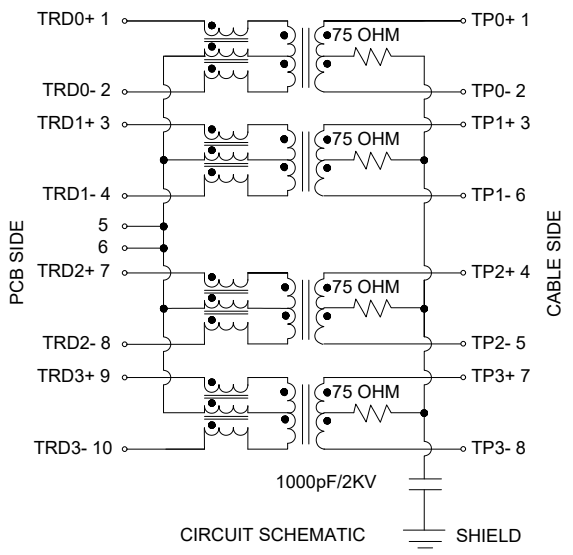



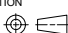
NOTES:
 HOUSING : NYLON66 GLASS FILLED UL94V-0 BLACK
 SHIELD : C2680H NICKEL PLATING 20u" MIN.
 RJ TERMINAL : NYLON66 UL94V-0 BLACK C5210EH NICKEL PLATING 40U"~60U" FOR ALL TIN 100% AND GOLD PLATING
 INPUT TERMINAL: NYLON66 GLASS FILLED UL94V-0 BLACK C2680 NICKEL PLATING 40U"~60U" FOR ALL AND TIN 100%



RECOMMENDED PCB LAYOUT



PARAMETER	SPECIFICATIONS	
OPERATING TEMPERATURE	0°C TO +70°C	
TURNS RATIO	1.00 ± 2%	
POLARITY	PER SCHEMATIC	
INSERTION LOSS (SDD21&SDD12)	1-50MHz	50-125MHz
	-0.5 dB MAX	-1.0 dB MAX
PHY-SIDE RETURN LOSS (SDD11-Zref=100 OHMS ± 1%)	1-40MHz	40-200MHz
	-20 dB MIN	-20+15*LOG10(f/40) dB MIN
LINE-SIDE RETURN LOSS (SDD22-Zref=100 OHMS ± 1%)	1-40MHz	40-200MHz
	-20 dB MIN	-20+15*LOG10(f/40) dB MIN
INDUCTANCE (OCL)	120 uH MIN @ 100KHz, 100mV	
CROSSTALK, ADJACENT CHANNELS (SDD21-ADJ.)	1-125MHz	
	-30 dB MIN	
COMMON MODE REJECTION RATIO (SCC21)	30-200MHz	
COMM. TO DIFF REJECTION RATIO (SCC12)	10-125MHz	
	-45+f/35 dB MIN	
INPUT-OUTPUT ISOLATION	2250 VDC FOR 60 SECONDS	

 E.S. GLOBAL TOP		UNIT	mm
		REVISION	P1
PRODUCT		RJ45 2x1 ICM 2.5G BASE-T	
DWG NO.		PART NO.	
EZI25S-2110N21-01			
PROJECTION	SCALE	SHEET	1 OF 1
			

TOLERANCES
 X±0.38
 XX±0.20
 XXX±0.10
 X.*2.0
 .X*1.0