

NOTES:

MECHANICAL

HOUSING : NYLON66 GLASS FILLED
POLYESTER UL94V-0 BLACK

SHIELD : BRASS C2680H PLATING NICKEL
20u" Min.


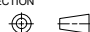
RJ TERMINAL : PBT+30% GF UL94V-0, BLACK
PHOSPHOR BRONZE C5210EH
NICKEL 40u"~60u" FOR ALL AND
Sn 100%, AND GOLD PLATING

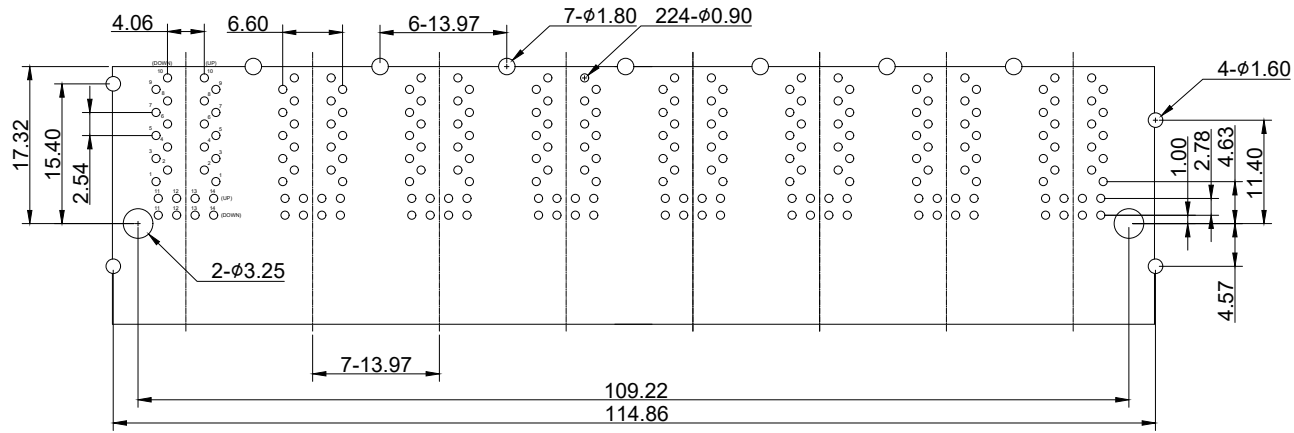
INPUT TERMINAL : NYLON66, GLASS FILLED
UL94V-0, BLACK
PHOS-BRONZE C2680
NICKEL 40u"~60u" FOR ALL AND
Sn 100%

ENVIRONMENTAL

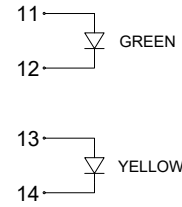
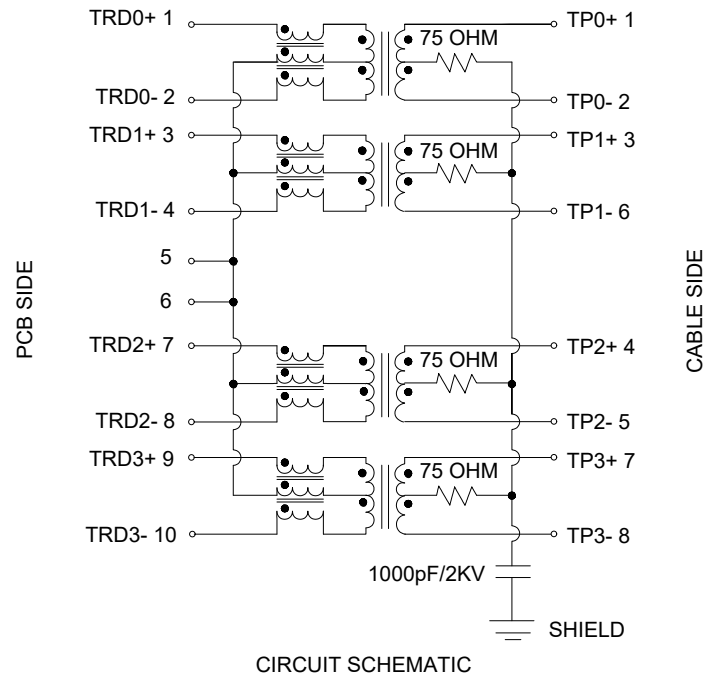
STORAGE TEMPERATURE : -40°C~+85°C

OPERATION TEMPERATURE : 0°C~+70°C

| | | | | |
|---|-------|-------------|------------|----|
|  E.S. GLOBAL TOP | | | UNIT | mm |
| | | | REVISION | P1 |
| PRODUCT | | | TOLERANCES | |
| RJ45 2x8 ICM 2.5G Base-T | | | .0 ± 0.38 | |
| DWG NO. | | PART NO. | .00 ± 0.20 | |
| EZI25S-2810N21-01 | | .000 ± 0.10 | | |
| PROJECTION | SCALE | SHEET | 0.° ± 2.0° | |
|  | | 1 OF 2 | 0.° ± 1.0° | |



RECOMMENDED PCB LAYOUT



| PARAMETER | SPECIFICATIONS | |
|-----------------------------|---------------------------|---|
| TURN RATIO @100KHz | 1.00±2% | |
| POLARITY | PER SCHEMATIC | |
| PRIMARY INDUCTANCE | 120uH Min. @100KHz, 100mV | |
| INSERTION LOSS | 1-50MHz | -0.5dB Max. |
| | 50-125MHz | -1.0dB Max. |
| RETURN LOSS | 1-40MHz | -20dB Min. |
| | 40-200MHz | -20+15*LOG ₁₀ (f/40) dB Min. |
| CROSS TALK | 1-125MHz | -30dB Min. |
| COMMON MODE REJECTION RATIO | 30-200MHz | -30dB Min. |
| COMM. MODE REJECTION RATIO | 10-125MHz | -45+f/35 dB Min. |
| ISOLATION | 2250V DC FOR 60s | |

| | | |
|--------------------------|--------|-------------|
| PRODUCT | | UNIT |
| RJ45 2x8 ICM 2.5G Base-T | | mm |
| | | REVISION |
| DWG NO. | | P1 |
| EZI25S-2810N21-01 | | |
| PART NO. | | TOLERANCES |
| PROJECTION | SCALE | .0 ± 0.38 |
| SHEET | 2 OF 2 | .00 ± 0.20 |
| | | .000 ± 0.10 |
| | | 0.° ± 2.0° |
| | | 0.° ± 1.0° |