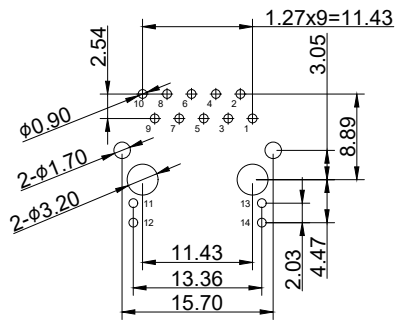
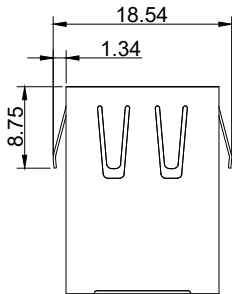
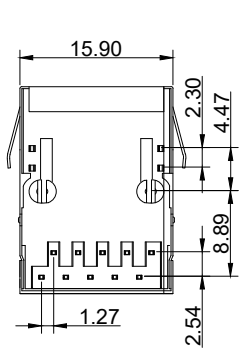
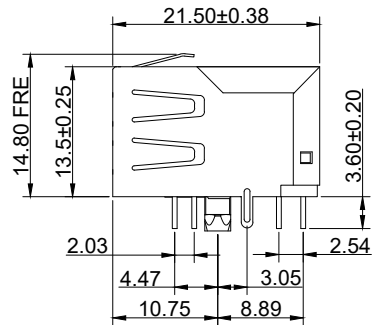
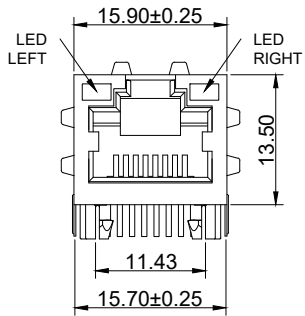
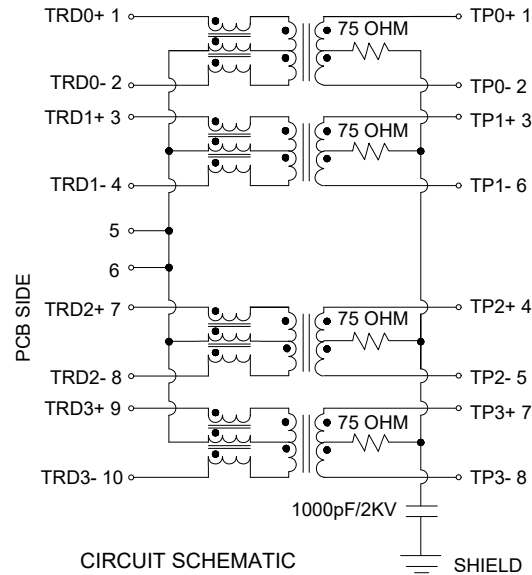


1 2 3 4 5 6



RECOMMENDED PCB LAYOUT



CIRCUIT SCHEMATIC



NOTES:

MECHANICAL

HOUSING : NYLON66 GLASS FILLED
POLYESTER UL94V-0 BLACK

SHIELD : BRASS C2680H PLATING NICKEL
20u" Min.


RJ TERMINAL : NYLON66 UL94V-0 BLACK
PHOSPHOR BRONZE C5210EH
NICKEL 40u"-60u" FOR ALL AND
Sn 100% AND GOLD PLATING

INPUT TERMINAL : NYLON66 GLASS FILLED
UL94V-0 BLACK SUS430
NICKEL 40u"-60u" FOR ALL AND
Sn 100%

ENVIRONMENTAL

OPERATION TEMPERATURE : 0°C~+70°C

PARAMETER	SPECIFICATIONS	
TURN RATIO @100KHz	1.00±2%	
POLARITY	PER SCHEMATIC	
PRIMARY INDUCTANCE	120uH Min. @100KHz, 100mV	
INSERTION LOSS	1-50MHz	-0.5dB Max.
	50-125MHz	-1.0dB Max.
	125-250MHz	-1.5dB Min.
RETURN LOSS	1-40MHz	-20dB Min.
	40-260MHz	-20+15*LOG ₁₀ (f/40) dB Min.
CROSS TALK	1-125MHz	-30dB Min.
COMMON MODE REJECTION RATIO	30-200MHz	-30dB Min.
COMM. MODE REJECTION RATIO	10-125MHz	-45+f/35 dB Min.
ISOLATION	2250V DC FOR 60s	



E.S. GLOBAL TOP

UNIT		mm
REVISION		P1
PRODUCT		RJ45 1x1 ICM 5G Base-T
DWG NO.	PART NO.	
EZ150S-110NU21-01		
PROJECTION	SCALE	SHEET
1 OF 1		
TOLERANCES		.0 ± 0.38 .00 ± 0.20 .000 ± 0.10 0.° ± 2.0° 0.° ± 1.0°

1 2 3 4 5 6