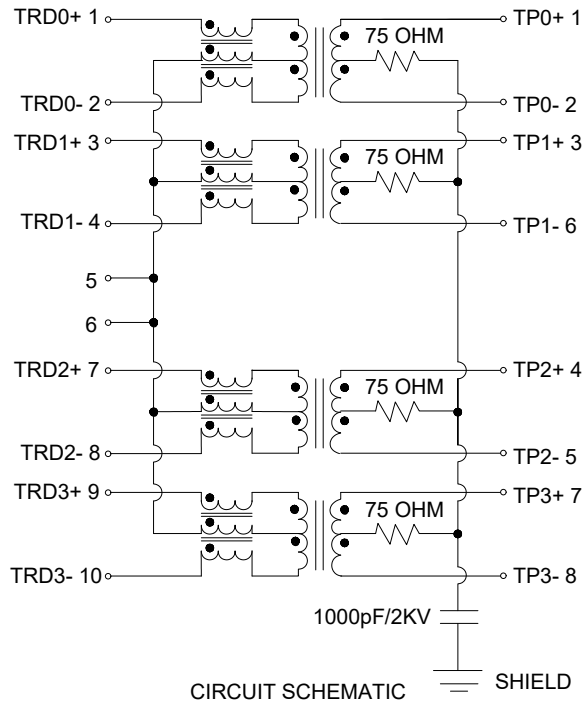
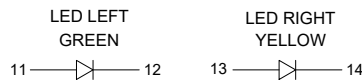


RECOMMENDED PCB LAYOUT

PCB SIDE



CIRCUIT SCHEMATIC



CABLE SIDE

- NOTES:
- HOUSING : NYLON66 GLASS FILLED UL94V-0 BLACK
 - SHIELD : C2680H NICKEL PLATING 20u" MIN.
 - RJ TERMINAL : NYLON66 UL94V-0 BLACK C5210EH NICKEL PLATING 40U"~60U" FOR ALL TIN 100% AND GOLD PLATING
 - INPUT TERMINAL : NYLON66 GLASS FILLED UL94V-0 BLACK SUS430 NICKEL PLATING 40U"~60U" FOR ALL AND TIN 100%

PARAMETER	SPECIFICATIONS		
OPERATING TEMPERATURE	0°C TO +70°C		
TURNS RATIO	1.00 ± 2%		
POLARITY	PER SCHEMATIC		
INSERTION LOSS (SDD21&SDD12)	1-50MHz	50-125MHz	125-250MHz
	-0.5dB MAX	-1.0dB MAX	-1.5dB MAX
PHY-SIDE RETURN LOSS (SDD11-Zref=100 OHMS ± 1%)	1-40MHz	40-250MHz	
	-20dB MIN	-20+15*LOG ₁₀ (f/40) dB MIN	
LINE-SIDE RETURN LOSS (SDD22-Zref=100 OHMS ± 1%)	1-40MHz	40-250MHz	
	-20dB MIN	-20+15*LOG ₁₀ (f/40) dB MIN	
INDUCTANCE (OCL)	120 uH MIN @ 100KHz, 100mV		
CROSS TALK, ADJACENT CHANNELS (SDD21-ADJ.)	1-125MHz	125-250MHz	
	-30dB MIN	-20dB MIN	
COMMON MODE REJECTION RATIO (SCC21)	30-250MHz		
	-30dB MIN		
COMM. TO DIFF REJECTION RATIO (SDC12)	10-250MHz		
	-45+f/35 dB MIN		
INPUT-OUTPUT ISOLATION	2250 VDC FOR 60 SECONDS		

		UNIT	mm
		REVISION	P1
PRODUCT	RJ45 1x1 ICM 5G BASE-T		TOLERANCES
DWG NO.	EZI50S-110NU21-02	PART NO.	X±0.38 XX±0.20 XXX±0.10 X.°2.0 .X°1.0
PROJECTION	SCALE	SHEET	1 OF 1