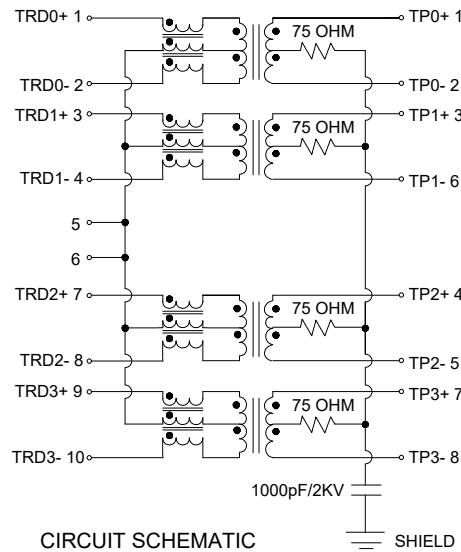


RECOMMENDED PCB LAYOUT



CIRCUIT SCHEMATIC



NOTES:  
**MECHANICAL**  
 HOUSING : NYLON66 GLASS FILLED  
 POLYESTER UL94V-0 BLACK  
 SHIELD : BRASS C2680H PLATING NICKEL  
 20u" Min.  
 RJ TERMINAL : NYLON66 UL94V-0 BLACK  
 PHOSPHOR BRONZE C5210EH  
 NICKEL 40u"-60u" FOR ALL AND  
 Sn 100%, AND GOLD PLATING  
 INPUT TERMINAL : NYLON66 GLASS FILLED  
 UL94V-0 BLACK SUS430  
 NICKEL 40u"-60u" FOR ALL AND  
 Sn 100%

**ENVIRONMENTAL**  
 OPERATION TEMPERATURE : 0°C--+70°C

PARAMETER	SPECIFICATIONS	
TURN RATIO @100KHz	1.00±2%	
POLARITY	PER SCHEMATIC	
PRIMARY INDUCTANCE	120uH Min. @100KHz, 100mV	
INSERTION LOSS	1-50MHz	-0.5dB Max.
	50-125MHz	-1.0dB Max.
	125-250MHz	-1.5dB Max.
RETURN LOSS	1-40MHz	-20dB Min.
	40-250MHz	-20+15*LOG <sub>10</sub> (f/40) dB Min.
CROSS TALK	1-125MHz	-30dB Min.
COMMON MODE REJECTION RATIO	30-200MHz	-30dB Min.
COMM. MODE REJECTION RATIO	10-125MHz	-45+f/35 dB Min.
ISOLATION	2250V DC FOR 60s	

		UNIT	mm
		REVISION	P1
PRODUCT	RJ45 1x2 ICM 5G Base-T		TOLERANCES
DWG NO.	EZI50S-210ND21-01	PART NO.	.0 ± 0.38 .00 ± 0.20 .000 ± 0.10 0.° ± 2.0° 0.° ± 1.0°
PROJECTION	SCALE	SHEET	1 OF 1