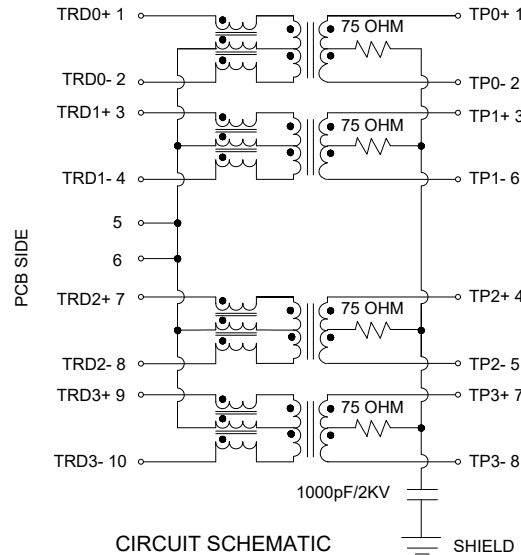
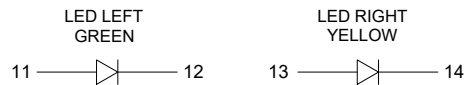


RECOMMENDED PCB LAYOUT



CIRCUIT SCHEMATIC



NOTES:

MECHANICAL

- HOUSING : NYLON66 GLASS FILLED  
POLYESTER UL94V-0 BLACK
- SHIELD : BRASS C2680H PLATING NICKEL  
20u" Min.
- RJ TERMINAL : NYLON66, UL94V-0, BLACK  
PHOSPHOR BRONZE C5210EH  
NICKEL 40u"~60u" FOR ALL AND  
Sn 100% AND GOLD PLATING
- INPUT TERMINAL : NYLON66 GLASS FILLED  
UL94V-0 BLACK  
PHOS-BRONZE C2680  
NICKEL 40u"~60u" FOR ALL AND  
Sn 100%

ENVIRONMENTAL

OPERATION TEMPERATURE : 0°C~+70°C

PARAMETER	SPECIFICATIONS	
TURN RATIO @100KHz	1.00±2%	
POLARITY	PER SCHEMATIC	
PRIMARY INDUCTANCE	120uH Min. @100KHz, 100mV	
INSERTION LOSS	1-50MHz	-0.5dB Max.
	50-125MHz	-1.0dB Max.
	125-250MHz	-1.5dB Max.
RETURN LOSS	1-40MHz	-20dB Min.
	40-250MHz	-20+15*LOG <sub>10</sub> (f/40) dB Min.
CROSS TALK	1-125MHz	-30dB Min.
COMMON MODE REJECTION RATIO	30-200MHz	-30dB Min.
COMM. MODE REJECTION RATIO	10-125MHz	-45+f/35 dB Min.
ISOLATION	2250V DC FOR 60s	

<b>E.S. GLOBAL TOP</b>		UNIT	mm
		REVISION	P1
PRODUCT		RJ45 2x1 ICM 5G Base-T	
DWG NO.		PART NO.	
EZI50S-2110N21-01			
PROJECTION	SCALE	SHEET	1 OF 1