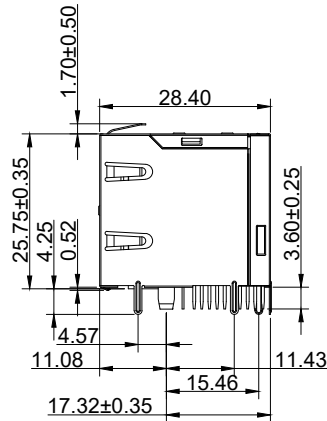
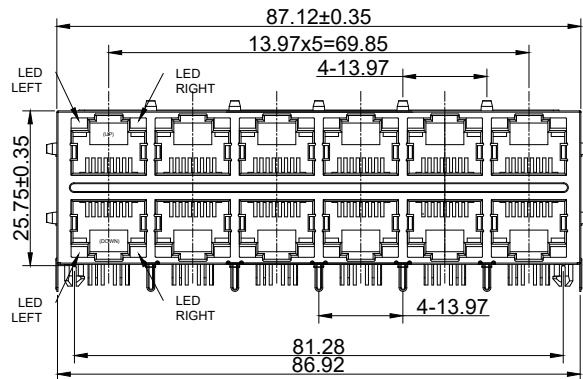


1 2 3 4 5 6

A

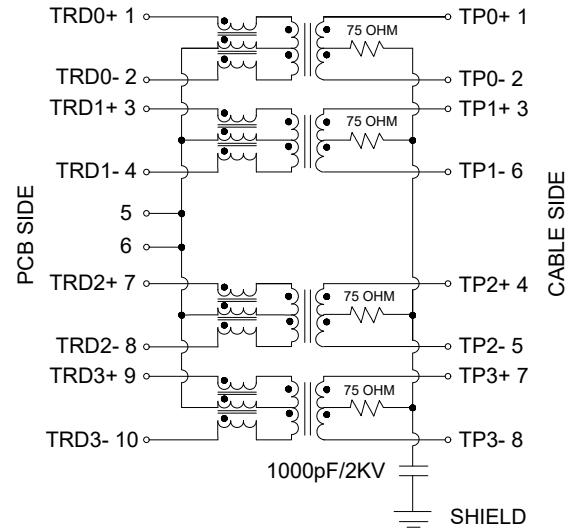
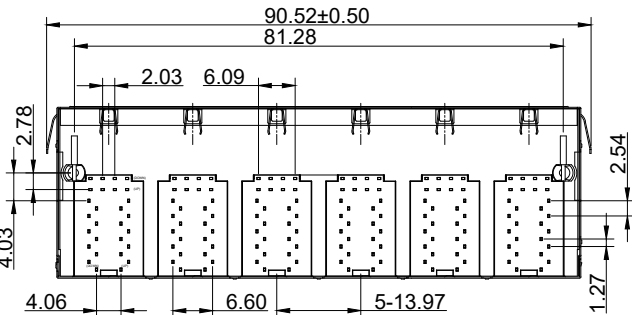


NOTES:

- MECHANICAL HOUSING : NYLON66 GLASS FILLED POLYESTER UL94V-0 BLACK
- SHIELD : BRASS C2680H PLATING NICKEL 20u" Min.
- RJ TERMINAL : NYLON66 UL94V-0 BLACK PHOSPHOR BRONZE C5210EH NICKEL 40u"-60u" FOR ALL AND Sn 100%, AND GOLD PLATING
- INPUT TERMINAL : NYLON66, GLASS FILLED UL94V-0 BLACK PHOS-BRONZE C2680 NICKEL 40u"-60u" FOR ALL AND Sn 100%

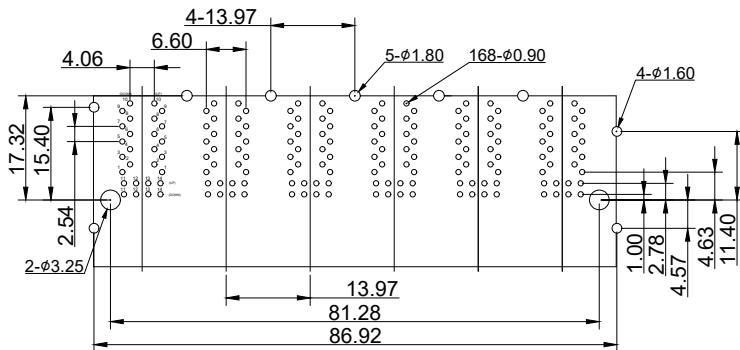
ENVIRONMENTAL  
OPERATION TEMPERATURE : 0°C~+70°C

B

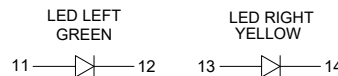


PARAMETER	SPECIFICATIONS	
TURN RATIO @100KHz	1.00±2%	
POLARITY	PER SCHEMATIC	
PRIMARY INDUCTANCE	120uH Min. @100KHz, 100mV	
INSERTION LOSS	1-50MHz	-0.5dB Max.
	50-125MHz	-1.0dB Max.
	125-250MHz	-1.5dB Max.
RETURN LOSS	1-40MHz	-20dB Min.
	40-250MHz	-20±15*LOG <sub>10</sub> (f/40) dB Min.
CROSS TALK	1-125MHz	-30dB Min.
	125-250MHz	-20dB Min.
COMMON MODE REJECTION RATIO	30-250MHz	-30dB Min.
COMM. MODE REJECTION RATIO	10-125MHz	-45±f/35 dB Min.
ISOLATION	2250V DC FOR 60s	

C



RECOMMENDED PCB LAYOUT



D

1 2 3 4 5 6

UNIT		mm
REVISION		P1
PRODUCT		RJ45 2x6 ICM 5G Base-T
DWG NO.	PART NO.	
EZI50S-2610N21-01		
PROJECTION	SCALE	SHEET
1 OF 1		

A

B

C

D