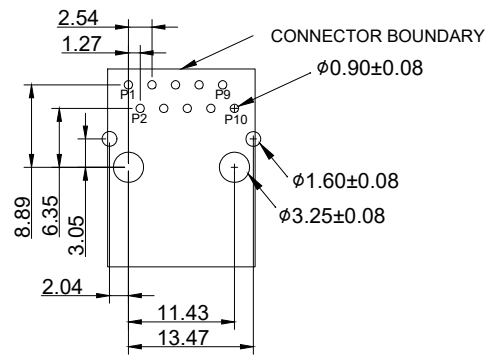
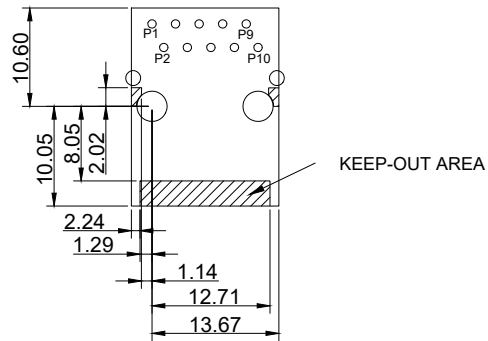
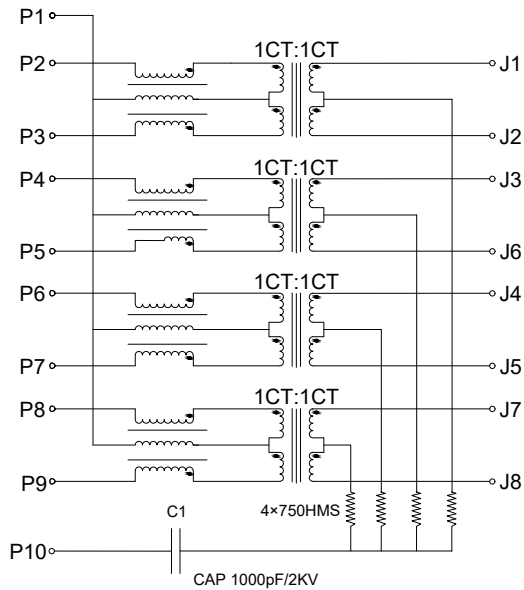


RECOMMENDED PANEL CUT OUT



RECOMMENDED PCB LAYOUT



CIRCUIT SCHEMATIC

NOTES:
MECHANICAL
 HOUSING : THERMOPLASTIC UL94V-0 BLACK
 CONTACT : PHOSPHOR BRONZE
 CONTACT PLATING : SELECTIVE GOLD 6 MICRO-INCHS
 Min. IN CONTACT AREA
 SHIELD : BRASS
 SHIELD PLATING : NICKEL

ENVIRONMENTAL
 STORAGE TEMPERATURE : -40°C~+85°C
 OPERATION TEMPERATURE : 0°C~+70°C

PARAMETER	SPECIFICATIONS	
TURN RATIO @100KHz	(P2~P3):(J1~J2) = 1:1±5% (P4~P5):(J3~J6) = 1:1±5% (P6~P7):(J4~J5) = 1:1±5% (P8~P9):(J7~J8) = 1:1±5%	
PRIMARY INDUCTANCE	350uH Min. @100KHz, 0.1V 8mA DC BIAS	
DC RESISTANCE	1.2OHMS Max.	
INSERTION LOSS	1-100MHz	-1.0dB Max.
	100-125MHz	-1.2dB Max.
RETURN LOSS	1-40MHz	-16dB Max.
	40-60MHz	-12dB Max.
	60-80MHz	-10dB Max.
	80-100MHz	-8dB Max.
CROSS TALK	1-100MHz	-30dB Min.
COMMON MODE REJECTION RATIO	1-100MHz	-30dB Min.
ISOLATION PHY SIDE TO LINE SIDE	2250V DC	

		UNIT	mm
		REVISION	B
PRODUCT		TOLERANCES	
RJ45 1X1 ICM 1000Base-T		±0.10 UNLESS OTHERWISE SPECIFIED	
DWG NO.	PART NO.		
EZ110S-110ND11-01			
PROJECTION	SCALE	SHEET	
		1 OF 1	