

NOTES:

**MECHANICAL**

HOUSING : THERMOPLASTIC UL94V-0 BLACK

CONTACT : PHOSPHOR BRONZE

CONTACT PLATING : SELECTIVE GOLD 6 MICRO-INCHES Min. IN CONTACT AREA

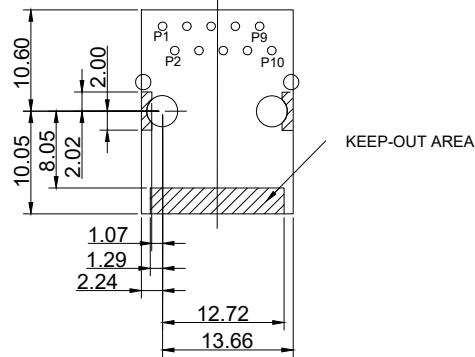
SHIELD : BRASS

SHIELD PLATING : NICKEL

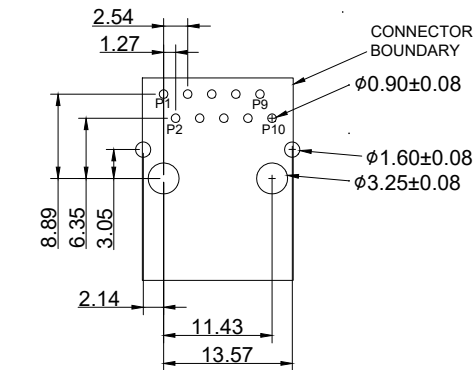
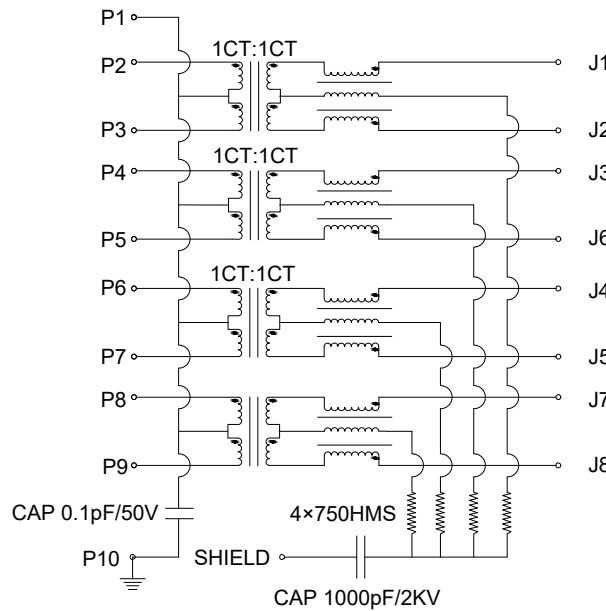
**ENVIRONMENTAL**

STORAGE TEMPERATURE : -40°C~+85°C

OPERATION TEMPERATURE : -40°C~+85°C



RECOMMENDED PANEL CUT OUT



RECOMMENDED PCB LAYOUT

CIRCUIT SCHEMATIC

PARAMETER	SPECIFICATIONS	
TURN RATIO @100KHz	(P2~P3):(J1~J2) = 1:1±5% (P4~P5):(J3~J6) = 1:1±5% (P6~P7):(J4~J5) = 1:1±5% (P8~P9):(J7~J8) = 1:1±5%	
PRIMARY INDUCTANCE	350uH Min. @100KHz, 0.1V 8mA DC BIAS	
DC RESISTANCE	1.2OHMS Max.	
INSERTION LOSS	1-100MHz	-1.0dB Max.
	100-125MHz	-1.2dB Max.
RETURN LOSS	1-40MHz	-16dB Max.
	40-60MHz	-12dB Max.
	60-80MHz	-10dB Max.
CROSS TALK	80-100MHz	-8dB Max.
	1-100MHz	-30dB Min.
COMMON MODE REJECTION RATIO	1-100MHz	-30dB Min.
ISOLATION PHY SIDE TO LINE SIDE	2250V DC	

		UNIT	mm
		REVISION	A
PRODUCT		RJ45 1X1 ICM 1000 Base-T	
DWG NO.		PART NO.	
EZ110S-110ND11-02			
PROJECTION	SCALE	SHEET	1 OF 1

TOLERANCES  
±0.10 UNLESS OTHERWISE SPECIFIED