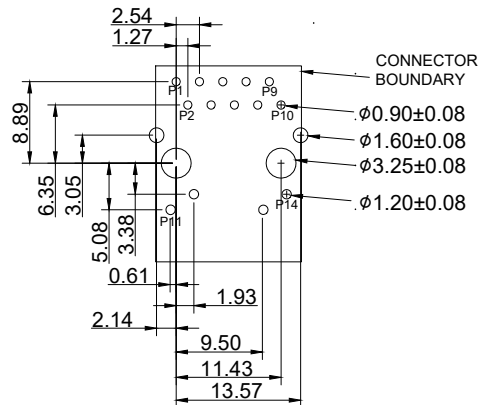
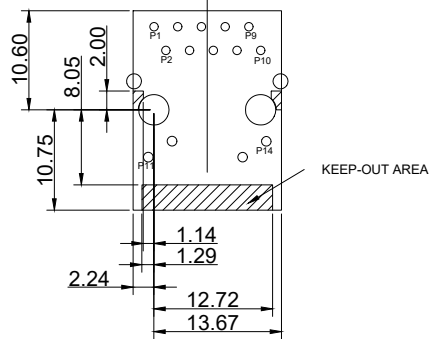
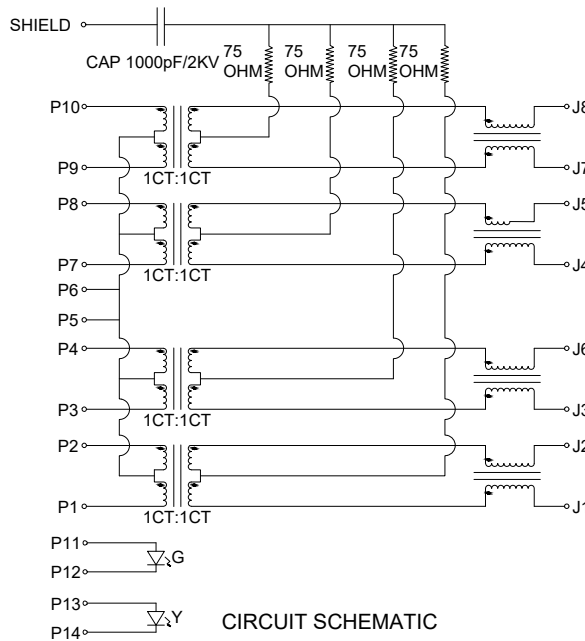


RECOMMENDED PANEL CUT OUT



RECOMMENDED PCB LAYOUT



CIRCUIT SCHEMATIC

LED SPECIFICATION				
STANDARD LED	WAVELENGTH	FORWARD CURRENT	FORWARD V(Max.)	TYP
GREEN	565nm	20mA	2.4V	2.2V
YELLOW	590nm	20mA	2.5V	2.1V

WITH A FORWARD CURRENT OF 20mA

NOTES:
MECHANICAL
 HOUSING : THERMOPLASTIC UL94V-0 BLACK
 CONTACT : PHOSPHOR BRONZE
 CONTACT PLATING : SELECTIVE GOLD 6 MICRO-INCHS Min. IN CONTACT AREA
 SHIELD : BRASS
 SHIELD PLATING : NICKEL
ENVIRONMENTAL
 STORAGE TEMPERATURE : -40°C~+85°C
 OPERATION TEMPERATURE : 0°C~+70°C

PARAMETER	SPECIFICATIONS	
TURN RATIO @100KHz	(P1~P2);(J1~J2) = 1:1±5% (P3~P4);(J3~J6) = 1:1±5% (P7~P8);(J4~J5) = 1:1±5% (P9~P10);(J7~J8) = 1:1±5%	
PRIMARY INDUCTANCE	350uH Min. @100KHz, 0.1V 8mA DC BIAS	
DC RESISTANCE	1.2OHMS Max.	
INSERTION LOSS	1-100MHz	-1.0dB Max.
	100-125MHz	-1.2dB Max.
RETURN LOSS	1-40MHz	-16dB Max.
	40-60MHz	-12dB Max.
	60-80MHz	-10dB Max.
	80-100MHz	-8dB Max.
CROSS TALK	1-100MHz	-30dB Min.
COMMON MODE REJECTION RATIO	1-100MHz	-30dB Min.
ISOLATION PHY SIDE TO LINE SIDE	2250V DC	

		UNIT	mm
		REVISION	A
PRODUCT		RJ45 1X1 ICM 1000 Base-T	
DWG NO.		PART NO.	
EZ110S-110ND21-02			
PROJECTION	SCALE	SHEET	1 OF 1

±0.10 UNLESS OTHERWISE SPECIFIED