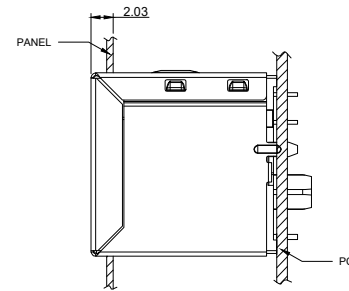
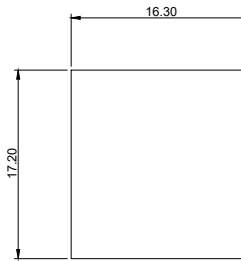
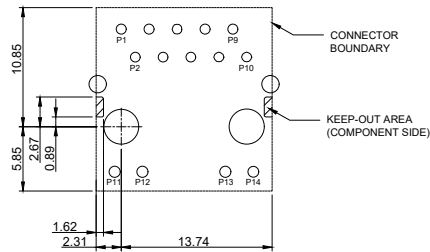


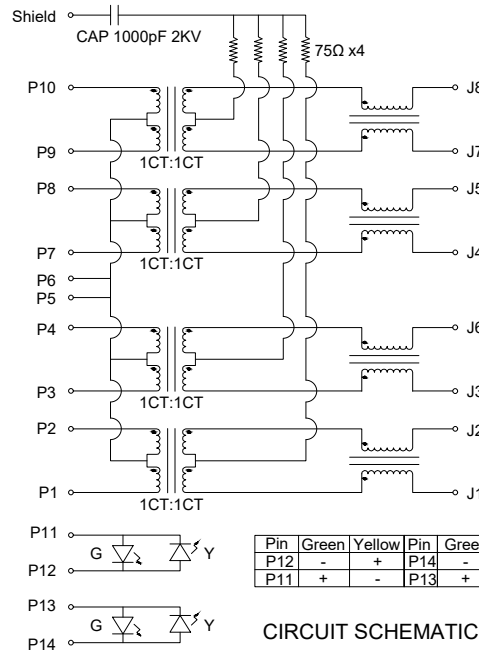
NOTES:
 HOUSING/INSERT: LCP BLACK UL 94V-0
 CONTACT: PHOSPHOR BRONZE, 30u GOLD PLATING IN CONTACT AREA
 SHIELD: BRASS, NICKEL PLATING
 OPERATING TEMPERATURE: -40°C ~ +85°C
 STORAGE TEMPERATURE: +40°C ~ +85°C

LED SPECIFICATION			
STANDARD LED	WAVELENGTH	FORWARD V(Max.)	TYP
GREEN	565nm	2.4V	2.2V
YELLOW	590nm	2.5V	2.1V

WITH A FORWARD CURRENT OF 20mA



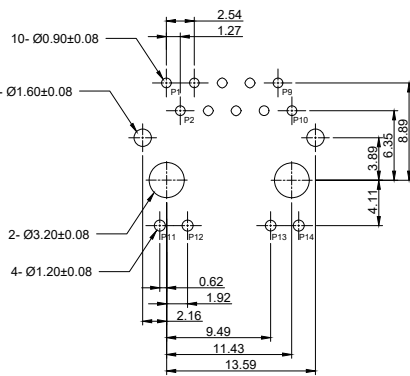
RECOMMENDED PANEL OPENING



Pin	Green	Yellow	Pin	Green	Yellow
P12	-	+	P14	-	+
P11	+	-	P13	+	-

CIRCUIT SCHEMATIC

PARAMETER	SPECIFICATIONS	
TURN RATIO @100KHz	(P1~P2):(J1~J2) = 1:1±5% (P3~P4):(J3~J6) = 1:1±5% (P7~P8):(J4~J5) = 1:1±5% (P9~P10):(J7~J8) = 1:1±5%	
PRIMARY INDUCTANCE	350uH min. @100KHz, 0.1V 8mA DC BIAS	
DC RESISTANCE	1.2OHMS Max.	
INSERTION LOSS	1-100MHz	-1.0dB Max.
	100-125MHz	-1.2dB Max.
RETURN LOSS	1-40MHz	-16dB Min.
	40-60MHz	-12dB Min.
	60-80MHz	-10dB Min.
CROSS TALK	80-100MHz	-8dB Min.
	1-100MHz	-30dB Min.
COMMON MODE REJECTION RATIO	1-100MHz	-30dB Min.
ISOLATION PHY SIDE TO LINE SIDE	2250V DC	



RECOMMENDED PCB LAYOUT

UNIT		mm
REVISION		A
PRODUCT		RJ45 TOP ENTRY ICM 1000 Base-T
DWG NO.	EZ110S-110NU21-01	PART NO.
PROJECTION	SCALE	SHEET
		1 OF 1
TOLERANCES		±0.10 UNLESS OTHERWISE SPECIFIED