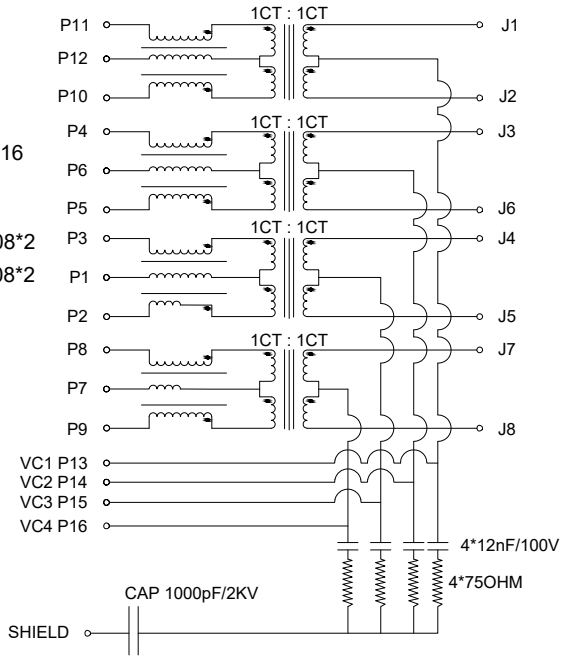


NOTES:  
**MECHANICAL**  
 HOUSING & INSERT : PBT BLACK UL94 V-0  
 CONTACT : COPPER ALLOY  
 PLATING : NICKEL  
 SHIELD : BRASS

**ENVIRONMENTAL**  
 STORAGE : -40°C~ +85°C  
 OPERATION : 0°C~ +70°C



PARAMETER	SPECIFICATIONS	
TURN RATIO @100KHz	(P11~P10):(J1~J2) = 1:1±5% (P4~P5):(J3~J6) = 1:1±5% (P3~P2):(J4~J5) = 1:1±5% (P8~P9):(J7~J8) = 1:1±5%	
PRIMARY INDUCTANCE	350uH Min. @100KHz, 0.1V 8mA DC BIAS	
DC RESISTANCE	1.2OHMS Max.	
INSERTION LOSS	1-100MHz	-1.0dB Max.
	100-125MHz	-1.2dB Max.
RETURN LOSS	1-40MHz	-16dB Max.
	60-80MHz	-10dB Max.
	80-100MHz	-8dB Max.
CROSS TALK	1-100MHz	-30dB Min.
COMMON MODE REJECTION RATIO	1-100MHz	-30dB Min.
ISOLATION PHY SIDE TO LINE SIDE	2250V DC	
DC CURRENT / VOLTAGE RATING - PSE PINS	350mA Max. @48VDC	

		UNIT	mm
		REVISION	A
PRODUCT		RJ45 1X1 ICM1000 Base-T	
DWG NO.		PART NO.	
EZ110S-112PU11-01			
PROJECTION	SCALE	SHEET	1 OF 1