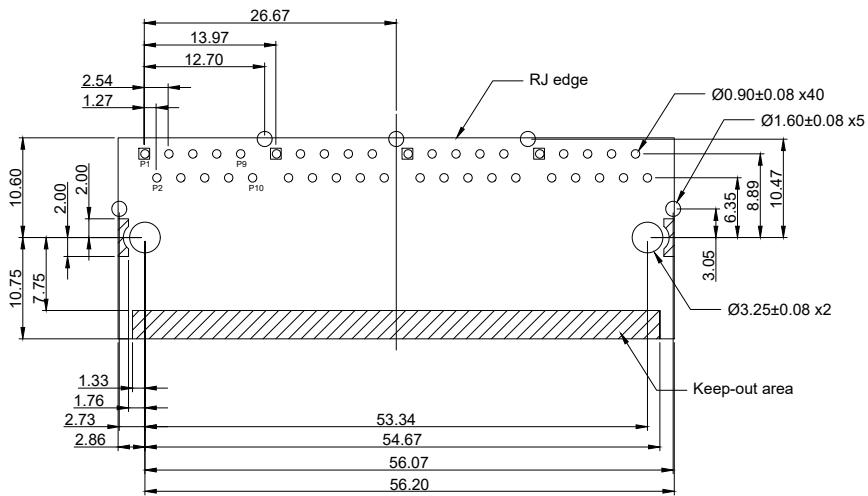
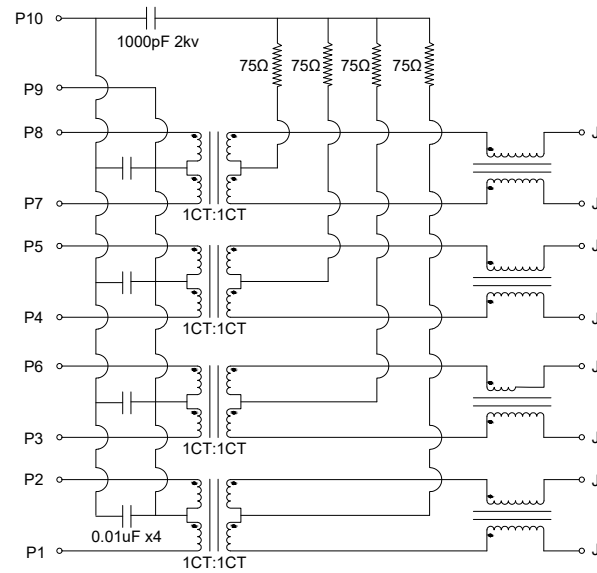


Housing: thermoplastic black UL 94V-0
 Shield: brass Ni plating
 Contact: phosphor bronze 30u Au plating on contact area
 Operating temperature: -40°C~85°C
 Storage temperature: -40°~85°C

PARAMETER	SPECIFICATIONS
TURN RATIO @100KHz	(P1~P2);(J1~J2) = 1:1±5% (P3~P6);(J3~J6) = 1:1±5% (P4~P5);(J4~J5) = 1:1±5% (P7~P8);(J7~J8) = 1:1±5%
PRIMARY INDUCTANCE	350uH Min. @100KHz 0.1V 8mA DC BIAS
DC RESISTANCE	1.2Ω Max.
INSERTION LOSS	1-100MHz -1.0dB Max. 100-125MHz -1.2dB Max.
RETURN LOSS	1-40MHz -16dB Max. 40-60MHz -12dB Max. 60-80MHz -10dB Max. 80-100MHz -8dB Max.
CROSS TALK	1-100MHz -30dB Min.
COMMON TO COMMON MODE ATTENUATION	1-100MHz -30dB Min.
ISOLATION PHY SIDE TO LINE SIDE	2250V DC



Recommended PCB Layout



Circuit Schematic

		UNIT	mm
		REVISION	A
PRODUCT		RJ45 1X4 ICM 1000 Base-T	
DWG NO.	EZH10S-410ND11-01	PART NO.	
PROJECTION	SCALE	SHEET	1 OF 1
		TOLERANCES	
		±0.254 UNLESS OTHERWISE SPECIFIED	