
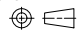
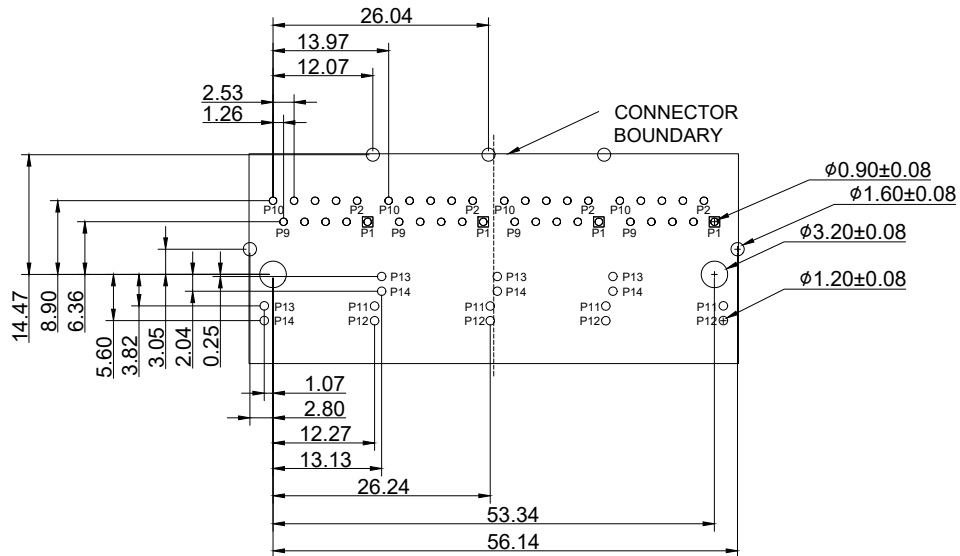
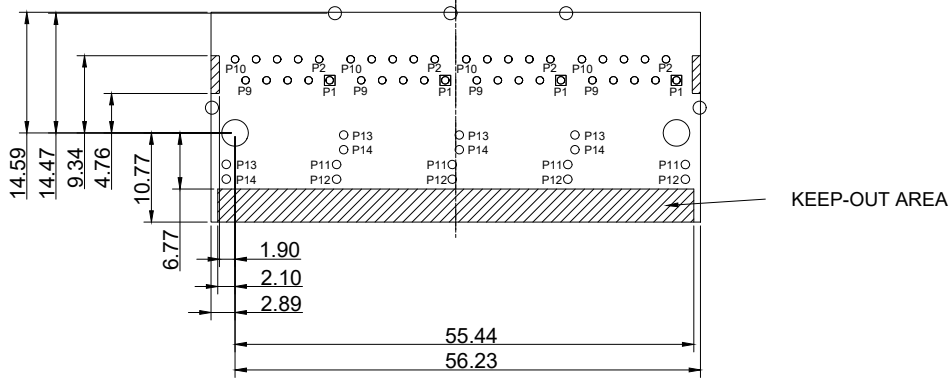
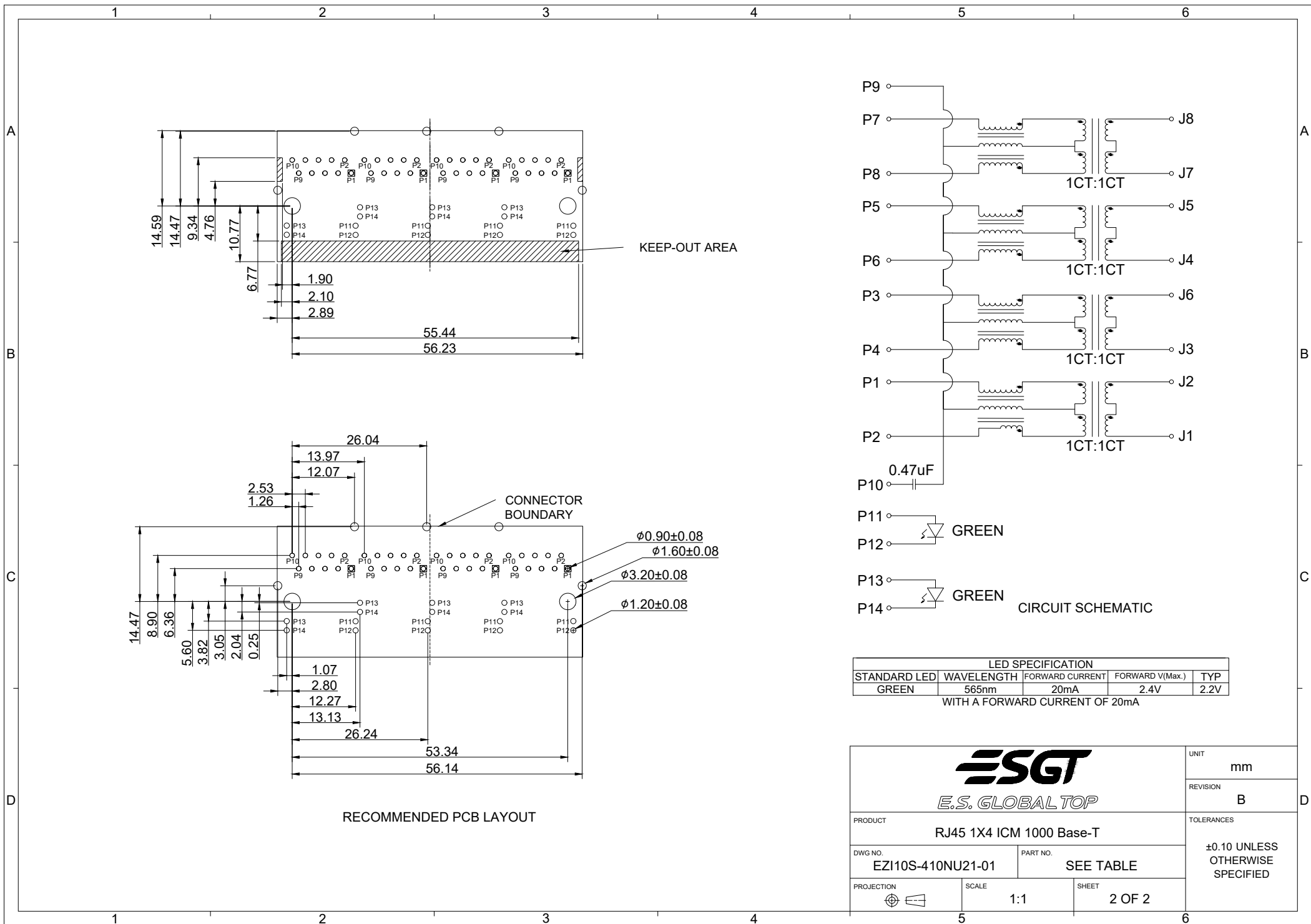


RECOMMENDED PANEL CUT OUT

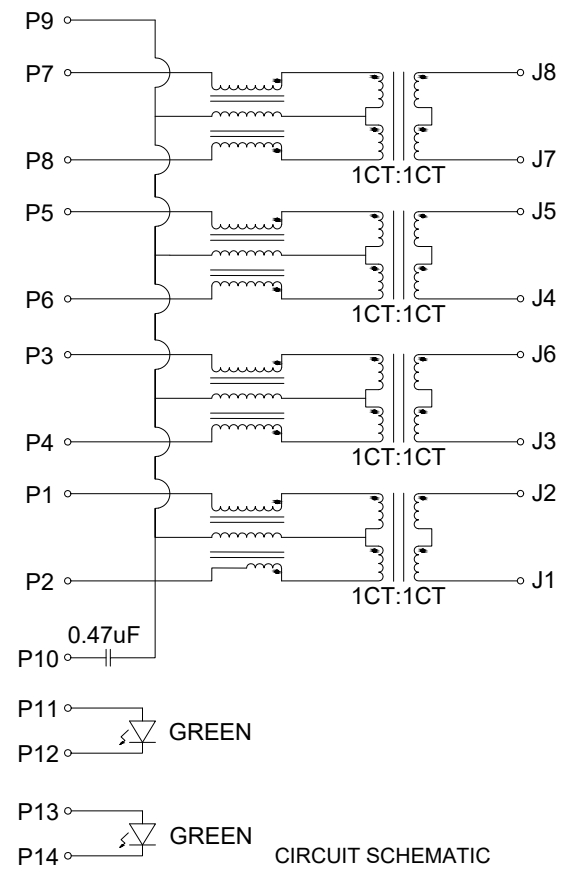
- NOTES:
- MECHANICAL**
- HOUSING : THERMOPLASTIC UL94V-0 BLACK
 - CONTACT : PHOSPHOR BRONZE
 - CONTACT PLATING : SELECTIVE GOLD 30 MICRO-INCHS
Min. IN CONTACT AREA
 - SHIELD : BRASS
 - SHIELD PLATING : NICKEL
- ENVIRONMENTAL**
- STORAGE TEMPERATURE : -40°C~+85°C
 - OPERATION TEMPERATURE : 0°C~+70°C

PARAMETER	SPECIFICATIONS	
TURN RATIO @100KHz	(P1~P2);(J1~J2) = 1:1±5% (P3~P4);(J3~J6) = 1:1±5% (P7~P8);(J4~J5) = 1:1±5% (P9~P10);(J7~J8) = 1:1±5%	
PRIMARY INDUCTANCE	350uH Min. @100KHz, 0.1V 8mA DC BIAS	
DC RESISTANCE	1.2OHMS Max.	
INSERTION LOSS	100MHz	-1.0dB Max.
	100-125MHz	-1.2dB Max.
RETURN LOSS	1-40MHz	-16dB Max.
	40-60MHz	-12dB Max.
	60-80MHz	-10dB Max.
	80-100MHz	-8dB Max.
CROSS TALK	1-100MHz	-30dB Min.
COMMON MODE REJECTION RATIO	1-100MHz	-30dB Min.
ISOLATION PHY SIDE TO LINE SIDE	2250V DC	

 E.S. GLOBAL TOP		UNIT	mm
		REVISION	B
PRODUCT		RJ45 1X4 ICM 1000 Base-T	
DWG NO.	EZI10S-410NU21-01	PART NO.	
PROJECTION		SCALE	SHEET
		1 OF 2	
		TOLERANCES	
		±0.10 UNLESS OTHERWISE SPECIFIED	



RECOMMENDED PCB LAYOUT



LED SPECIFICATION				
STANDARD LED	WAVELENGTH	FORWARD CURRENT	FORWARD V(Max.)	TYP
GREEN	565nm	20mA	2.4V	2.2V

WITH A FORWARD CURRENT OF 20mA

		UNIT	mm
		REVISION	B
PRODUCT		RJ45 1X4 ICM 1000 Base-T	
DWG NO.		PART NO.	
EZI10S-410NU21-01		SEE TABLE	
PROJECTION	SCALE	SHEET	TOLERANCES ± 0.10 UNLESS OTHERWISE SPECIFIED
	1:1	2 OF 2	