

		UNIT	mm
		REVISION	D
PRODUCT		SFP1X4 CAGE	
DWG NO.		PART NO.	
EZS-4NN1-01			
PROJECTION	SCALE	SHEET	1 OF 2
		TOLERANCES X ± 0.25 XX ± 0.13 XXX ± 0.10 ANGLES ± 2°	

1 2 3 4 5 6

A

B

C

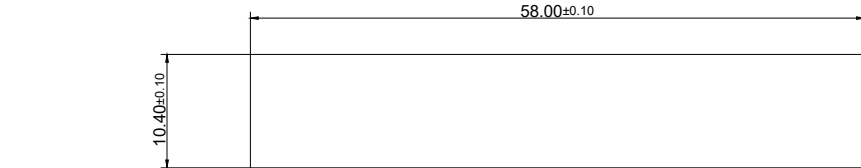
D

A

B

C

D



EACH SQUARE
2.01*2.01 (34X)

KEEP-OUT AREA OF
COMPONENT AND TRACE
(EXCEPT CHASSIS GROUND)

KEEP-OUT AREA OF
COMPONENT
(TRACES ALLOWED)

ROW 1
ROW 2
ROW 3
ROW 4

$\phi 0.95 \pm 0.05$
(16X)

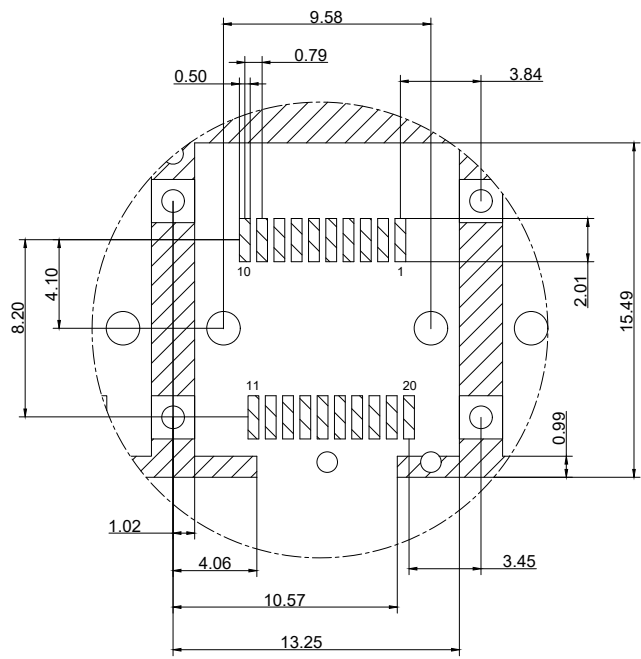
$\phi 1.05 \pm 0.05$ (30X)

$\phi 1.55 \pm 0.05$ (8X)

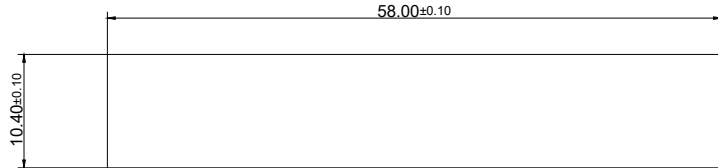
57.00 53.82 51.31 48.44 42.75 39.57 37.06 34.19 28.50 25.32 22.83 19.94 14.25 11.07 8.59 5.69 0.00

0.00 4.50 9.50 14.50 19.51 24.51 27.31 29.49 32.00 35.38 37.01 39.50 41.58 42.29

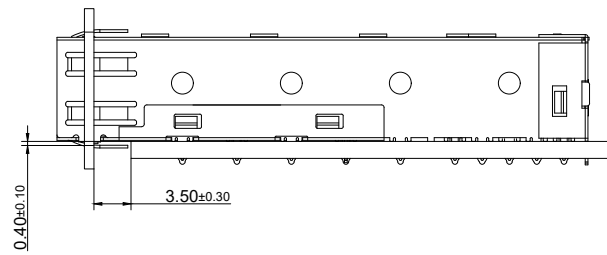
56.00 49.89 45.09 41.75 35.64 30.84 27.50 21.39 16.59 13.25 7.14 2.34 0.00





9.58 0.79 3.84 0.50 4.10 2.01 8.20 1.02 4.06 10.57 13.25 3.45 0.99



58.00 ± 0.10 10.40 ± 0.10



 E.S. GLOBAL TOP		UNIT	mm
		REVISION	D
PRODUCT		SFP1X4 CAGE	
DWG NO.		PART NO.	
EZS-4NN1-01			
PROJECTION	SCALE	SHEET	2 OF 2
			
		TOLERANCES	
		X ± 0.25 XX ± 0.13 XXX ± 0.10	
		ANGLES ± 2°	