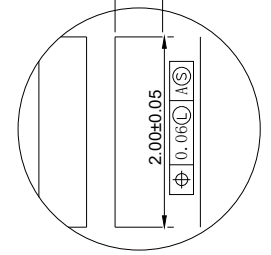
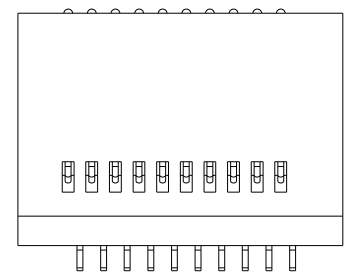


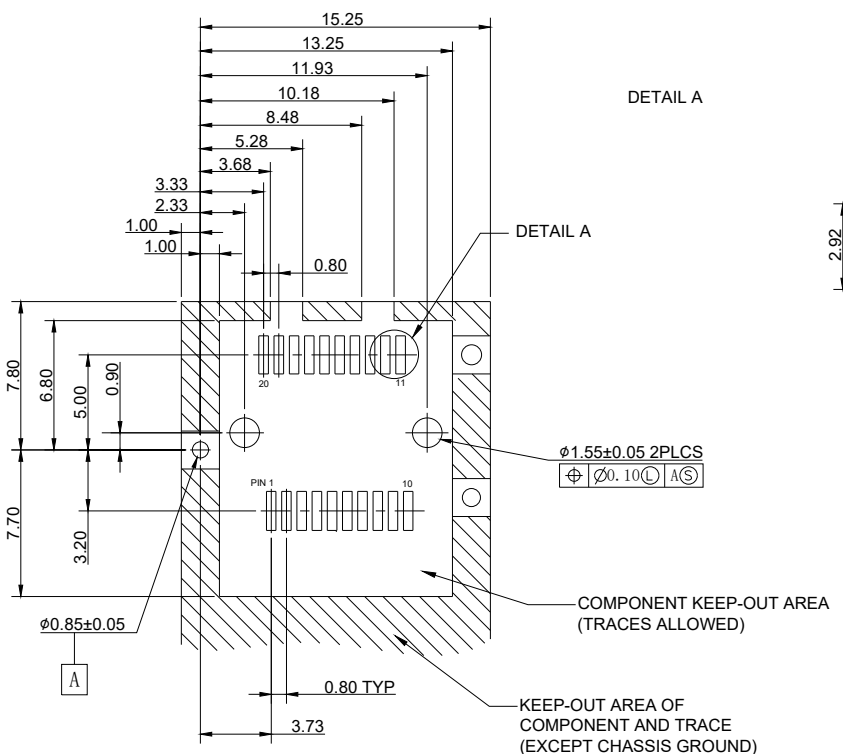
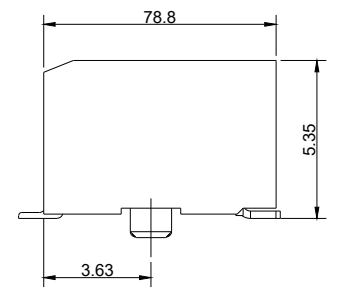
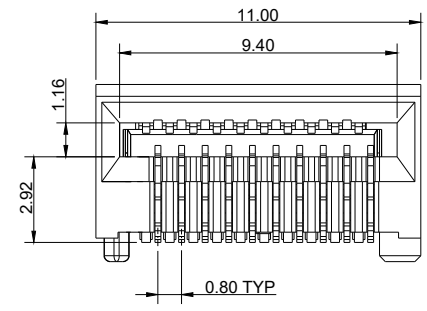
0.50±0.03 TYP
 $\oplus 0.06 \text{ (S)} \text{ (A)} \text{ (S)}$



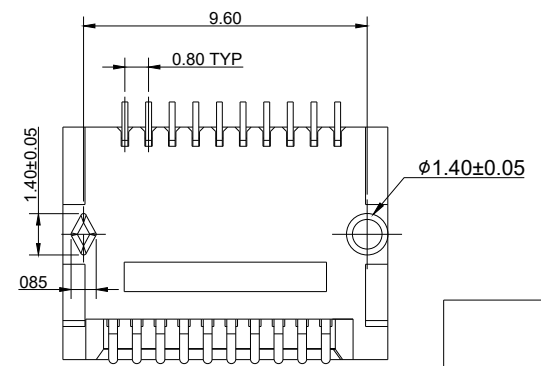
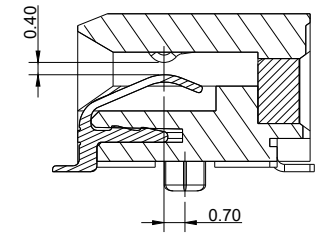
- NOTES:
 HOUSING : THERMOPLASTIC GLASS FILLED
 UL94V-0 BLACK
 CONTACT : COPPER ALLOY
 MATING AREA : PLATING GOLD 15u" OVER
 50u" MIN. NICKEL
 SOLDER PINS : TIN PLATING 100u" Min.
 OVER 50u" Min. NICKEL



DETAIL A



RECOMMENDED PCB LAYOUT



			UNIT	mm
			REVISION	B
PRODUCT			SFP28 1X1 CONNECTOR	
DWG NO.		PART NO.		
EZS10C-S30				
PROJECTION	SCALE	SHEET		
		1 OF 1		
			TOLERANCES	
			.0 ± 0.30	
			.00 ± 0.25	
			.000 ± 0.15	
			ANGLES ± 0.5°	