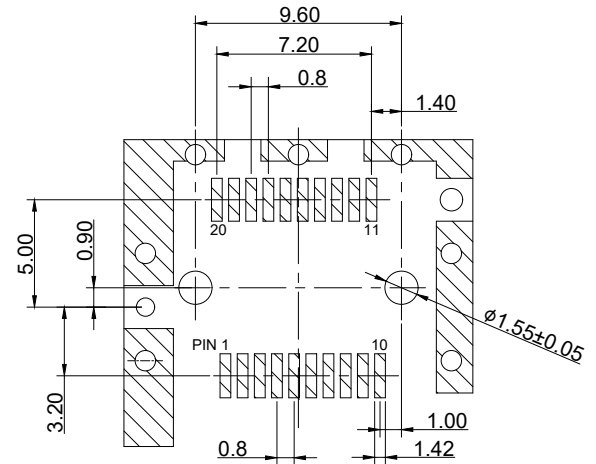


NOTES:

- TERMINAL : COPPER ALLOY
- HOUSING : LCP UL94V-0, BLACK
- CONTACT PLATING : 1.27um Min. Ni UNDER PLATING
- : 0.76um Min. MATTE TIN PLATING
- ON SOLDER PINS, 0.38um
- 0.76um Min. GOLD PLATING ON
- CONTACT AREA
- INSERTION FORCE : 40N Max.
- EXTRACTION FORCE : 11.5N Max.
- DURABILITY : 750 CYCLES MIN.
- CONTACT RESISTANCE : 20mΩ Max. INITIAL
- DIELECTRIC WITHSTANDING : 300V AC A MIN.
- STORAGE TEMPERATURE : -40°C~+85°C
- OPERATION TEMPERATURE : -55°C~+105°C



RECOMMENDED PCB LAYOUT

		UNIT	mm
		REVISION	A
PRODUCT		SFP+ 1X1 CONNECTOR	
DWG NO.	EZSC-S15	PART NO.	
PROJECTION		SCALE	SHEET
			1 OF 1
		TOLERANCES	
		.0 ± 0.20	
		.00 ± 0.15	
		.000 ± 0.10	
		ANGLES ± 0.5°	