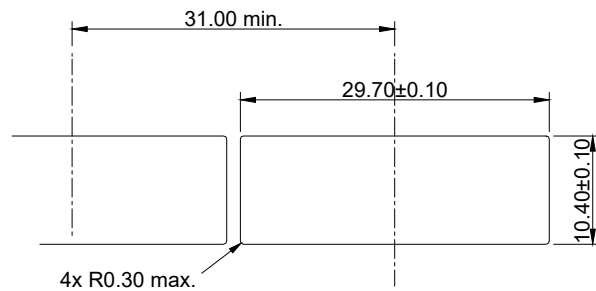
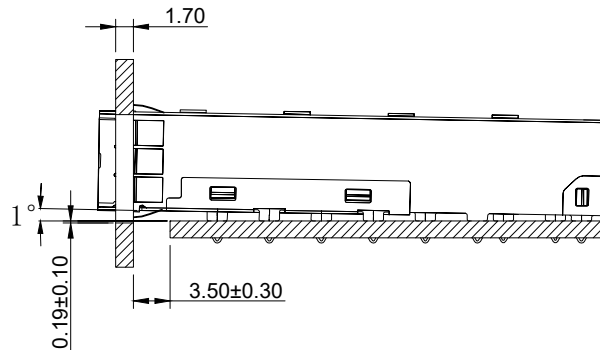


Note
 Upper cage: copper alloy, Ni plating
 Bottom cage: copper alloy, Ni plating
 EMI spring: beryllium copper, Ni plating

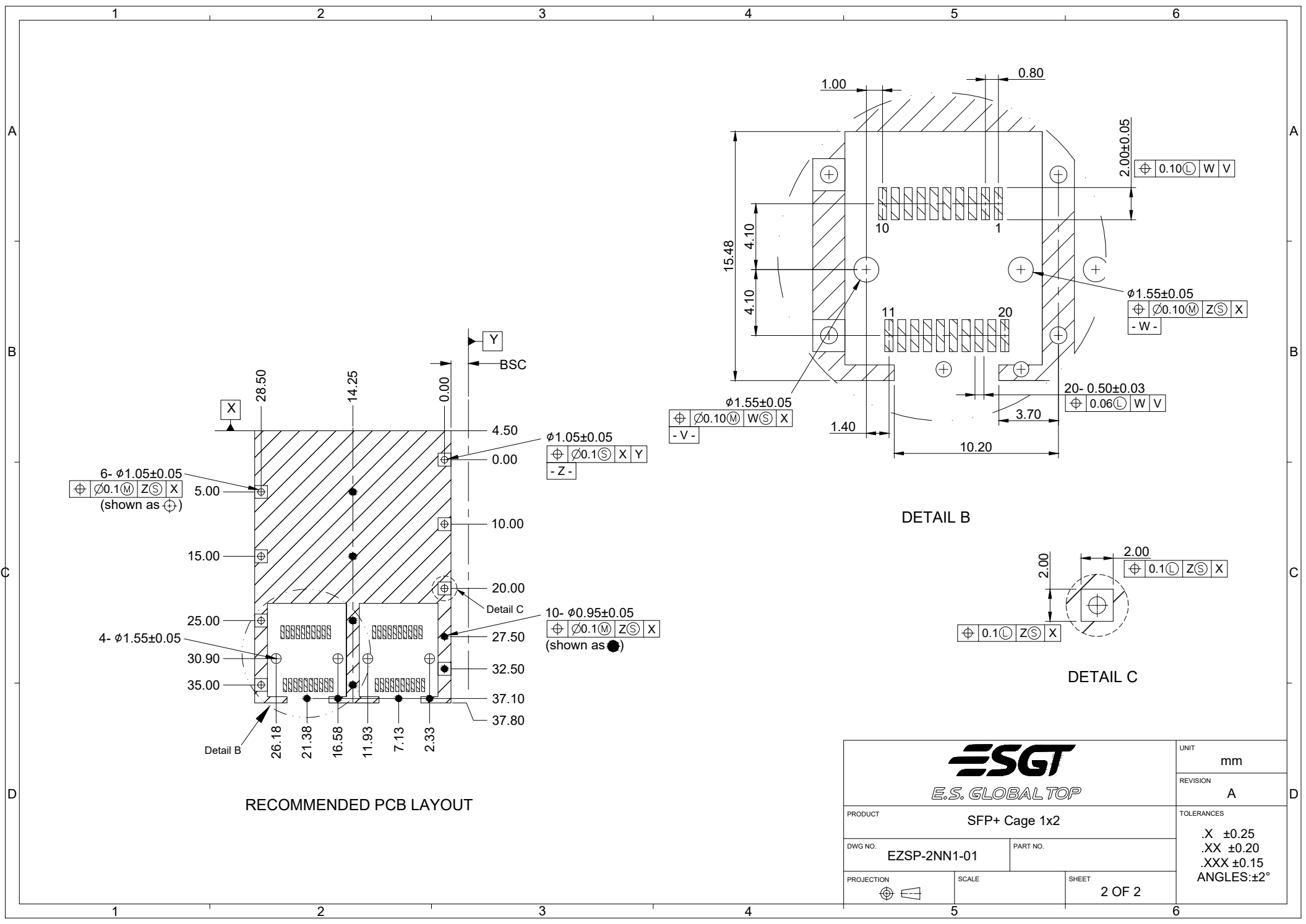
DETAIL A



RECOMMENDED PANEL OPENING




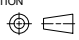
		UNIT	mm
		REVISION	A
PRODUCT		SFP+ Cage 1x2	
DWG NO. EZSP-2NN1-01		PART NO.	
PROJECTION	SCALE	SHEET	1 OF 2
		TOLERANCES .X ±0.25 .XX ±0.20 .XXX ±0.15 ANGLES:±2°	



RECOMMENDED PCB LAYOUT

DETAIL B

DETAIL C

 E.S. GLOBAL TOP		UNIT	mm
		REVISION	A
PRODUCT		SFP+ Cage 1x2	
DWG NO.	EZSP-2NN1-01	PART NO.	
PROJECTION		SCALE	SHEET
			2 OF 2
		TOLERANCES	
		.X ±0.25	
		.XX ±0.20	
		.XXX ±0.15	
		ANGLES:±2°	