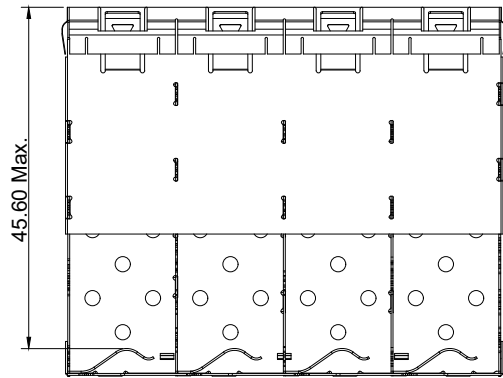
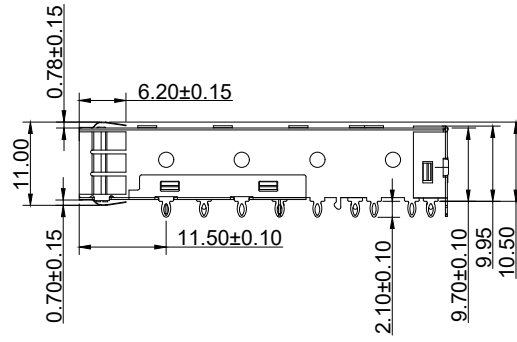
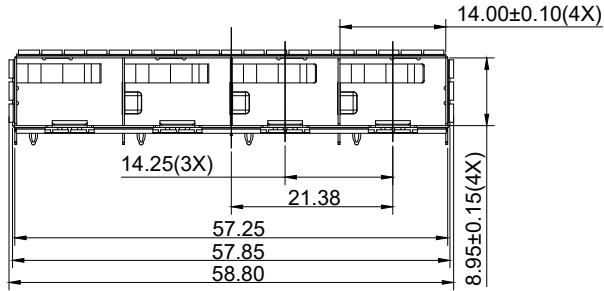
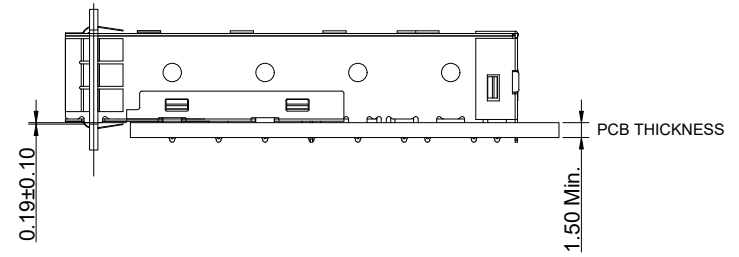
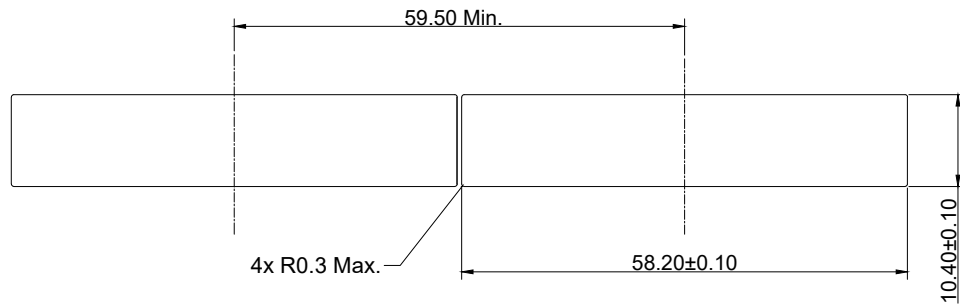


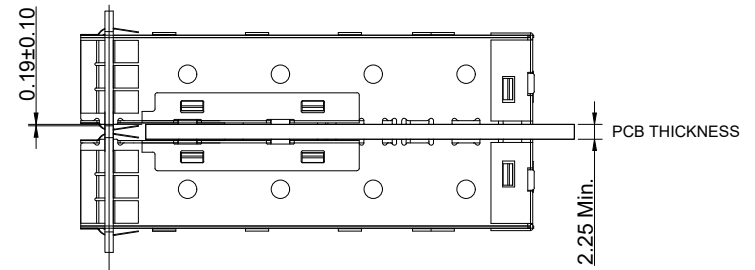
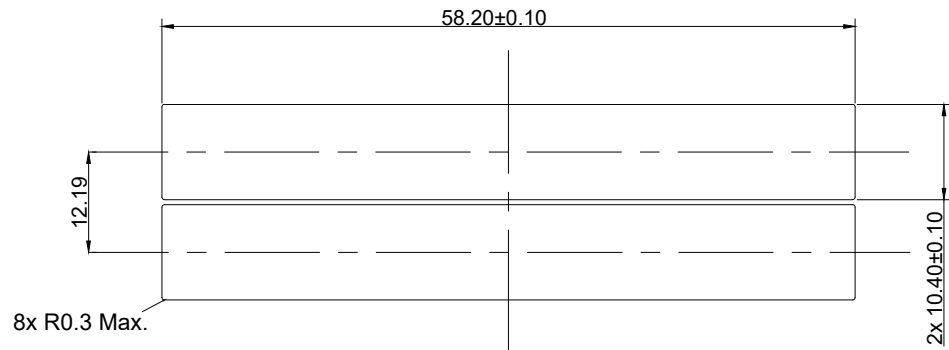
- NOTES:
- TOP CAGE : COPPER ALLOY
 - BOTTOM CAGE : COPPER ALLOY
 - MID CAGE : COPPER ALLOY
 - BACK CAGE : COPPER ALLOY
 - EMI SPRING : COPPER ALLOY
 - OPERATION TEMPERATURE : -40°C~+85°C
 - STORAGE TEMPERATURE : -55°C~+105°C



		UNIT	mm
		REVISION	E
PRODUCT		SFP+ 1X4 CAGE	
DWG NO.	EZSP-4NN1-01	PART NO.	
PROJECTION		SCALE	SHEET 1 OF 3
		TOLERANCES	
		.0 ± 0.25	
		.00 ± 0.13	
		.000 ± 0.10	
		ANGLES ± 2°	

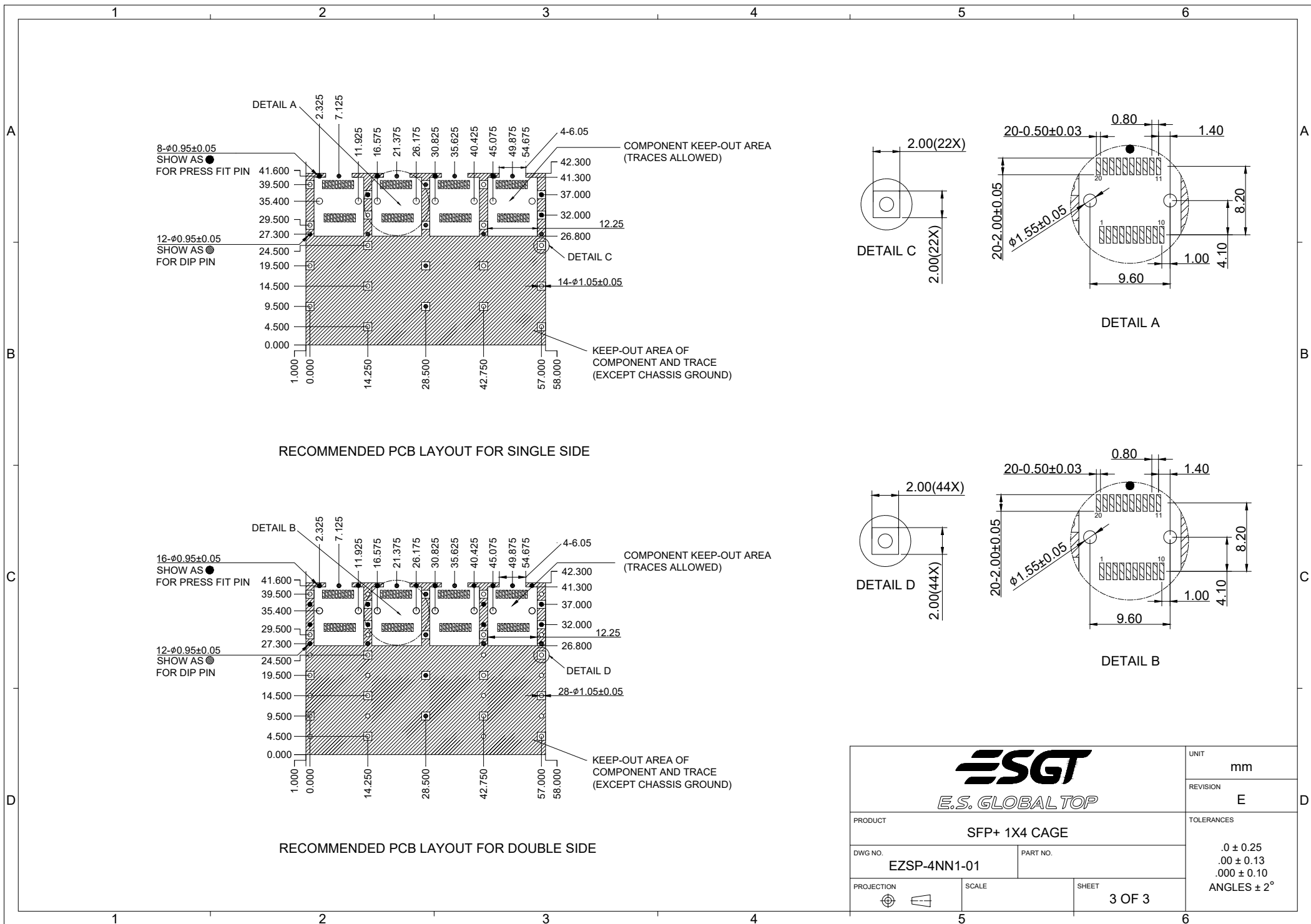


RECOMMENDED PANEL CUT-OUT FOR SINGLE SIDE



RECOMMENDED PANEL CUT-OUT FOR DOUBLE SIDE

		UNIT	mm
		REVISION	E
PRODUCT		SFP+ 1X4 CAGE	
DWG NO.	EZSP-4NN1-01	PART NO.	
PROJECTION	SCALE	SHEET	2 OF 3
		TOLERANCES	
		.0 ± 0.25	
		.00 ± 0.13	
		.000 ± 0.10	
		ANGLES ± 2°	



RECOMMENDED PCB LAYOUT FOR SINGLE SIDE

RECOMMENDED PCB LAYOUT FOR DOUBLE SIDE

			UNIT	mm
			REVISION	E
PRODUCT			TOLERANCES	
SFP+ 1X4 CAGE			.0 ± 0.25	
DWG NO.		PART NO.	.00 ± 0.13	
EZSP-4NN1-01			.000 ± 0.10	
PROJECTION	SCALE	SHEET	ANGLES ± 2°	
		3 OF 3		