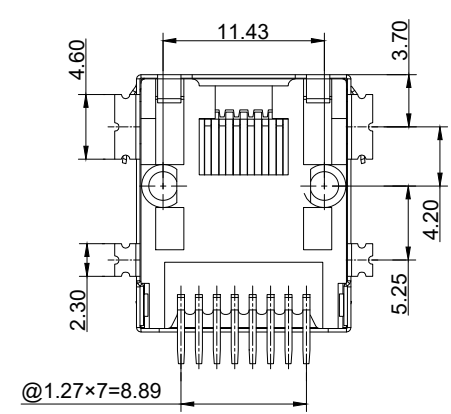
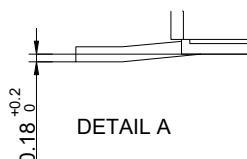


RECOMMENDED PCB LAYOUT



		UNIT	mm
		REVISION	02
PRODUCT		RJ45 1X1 SIDE ENTRY JACK SMT	
DWG NO.	EZC745-18S11-01	PART NO.	
PROJECTION		SCALE	SHEET
		1 OF 1	
		TOLERANCES 00~15 ± 0.15 15~30 ± 0.20 30~ ± 0.25 ANGLES ± 1°	